

Explosion Proof Emergency Light

Product Datasheet

DS_ARENA-EX-TWINSPOT-ST

[Overview](#)

[Dimensions](#)

[Technical Data](#)

[Imagery](#)

[Contact Us](#)

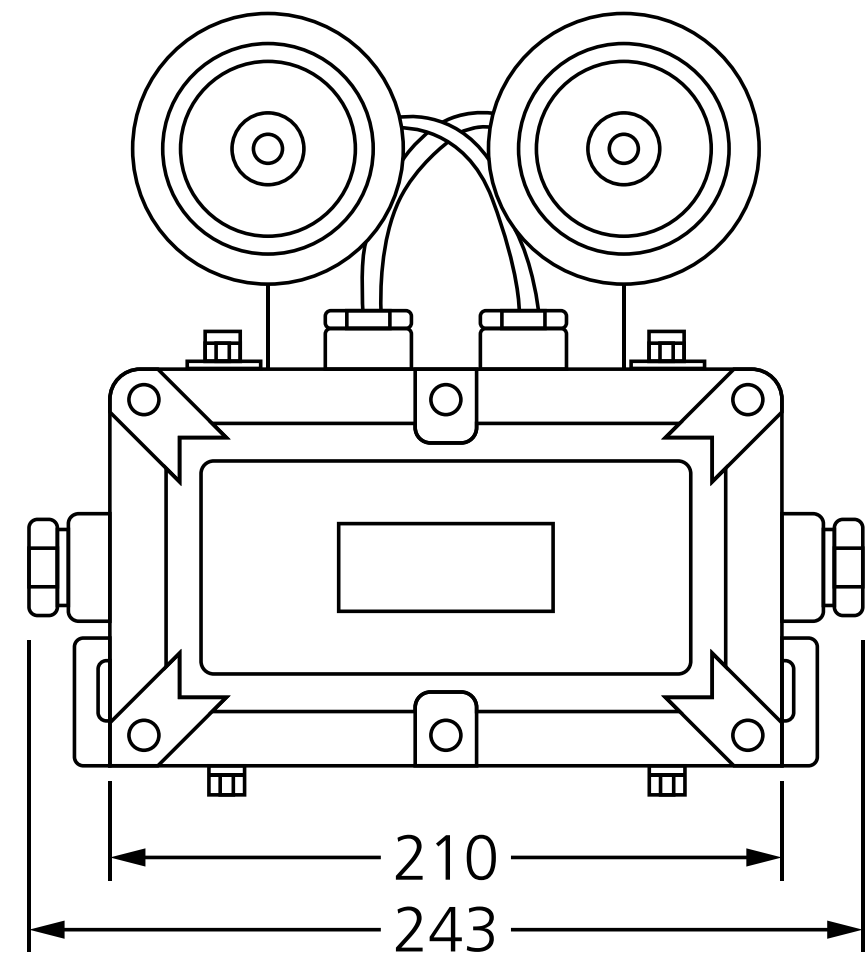
[Overview](#)[Dimensions](#)[Technical Data](#)[Imagery](#)[Contact Us](#)

Zones 1&2, Zone 21&22. High Quality ATEX rated LED twinspace with self test function and fault warning alarm.

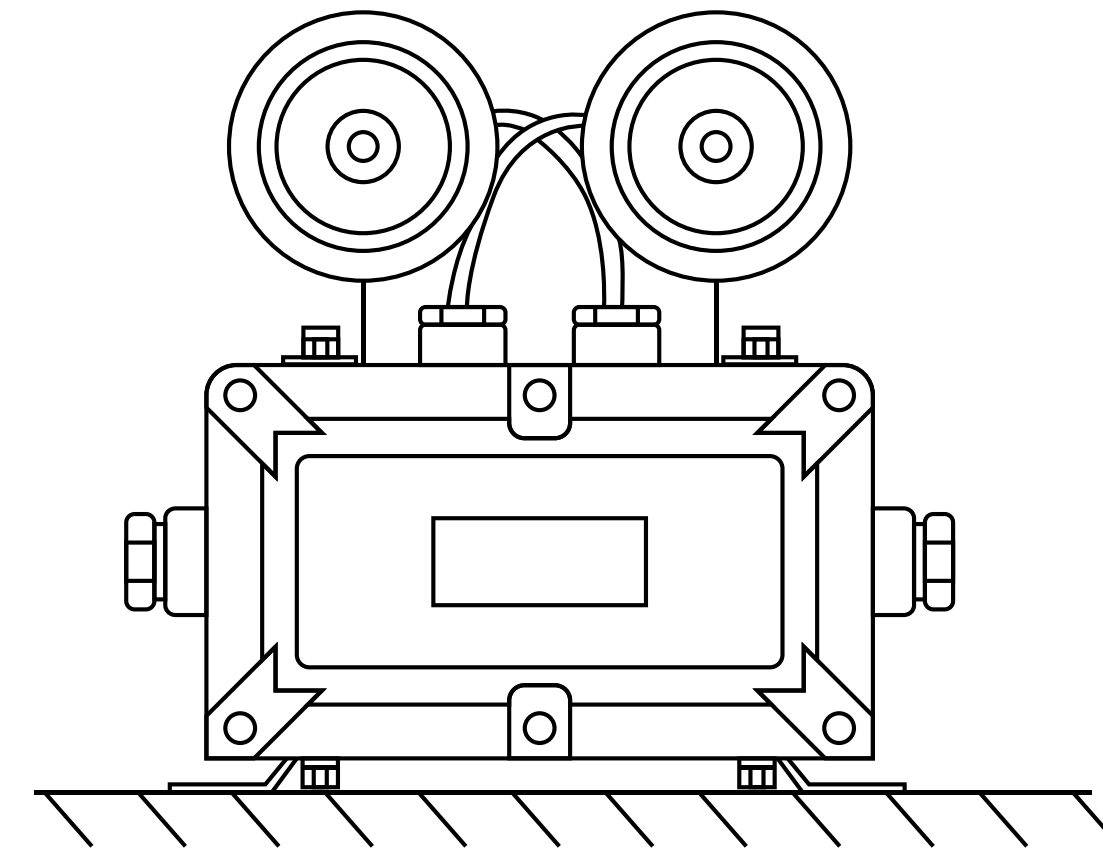
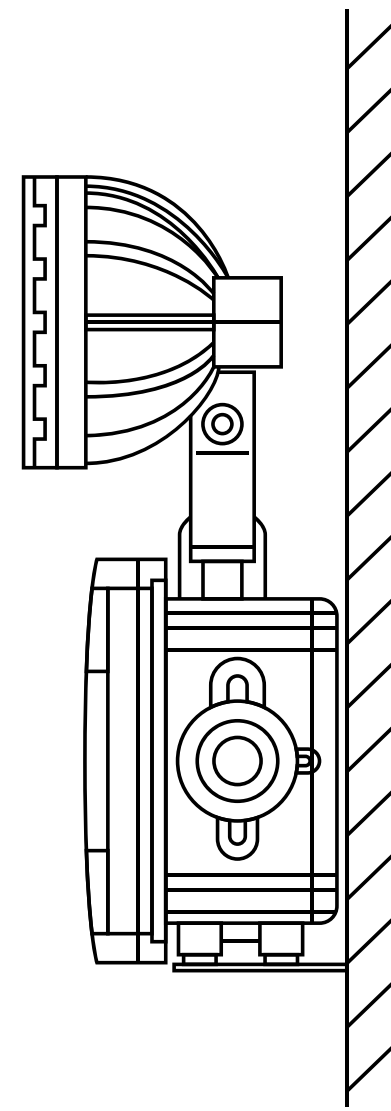
Features:

- Zone 1&2, Zone 21&22
- Built-in maintenance-free battery pack.
- The lamp heads can be rotated around 270° from top to bottom, with wide lighting range
- LED charge indicator
- Self testing monthly, plus test button
- Equipped with an explosion-proof buzzer 65dB-85dB. When the product is in fault status, the buzzer will sound 1-3s every minute.

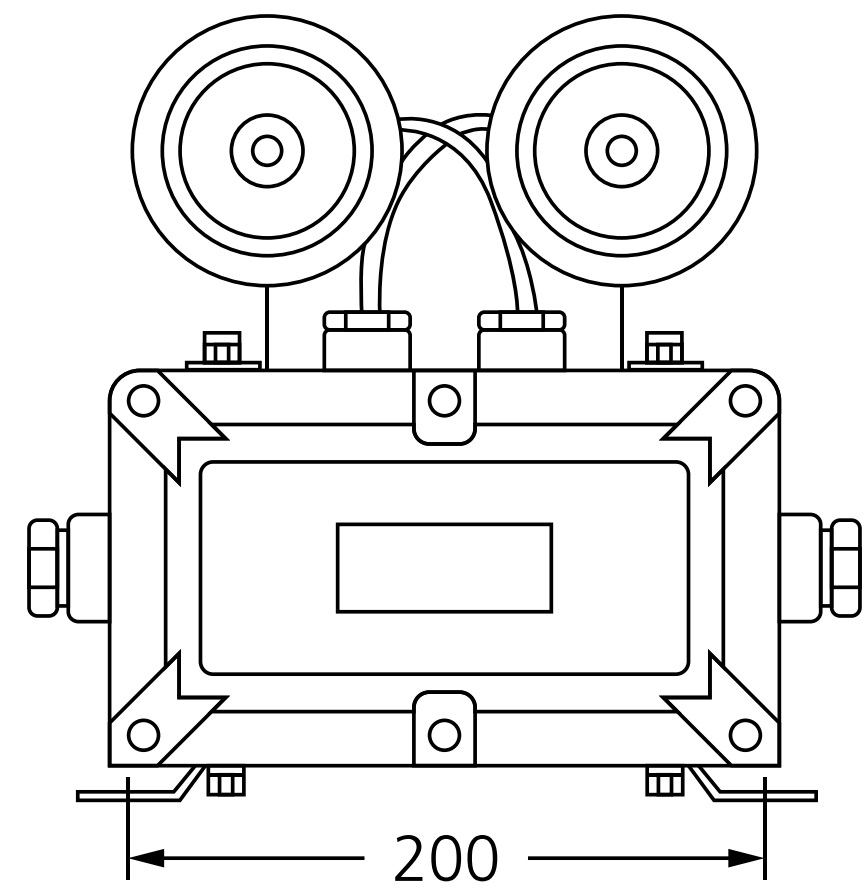




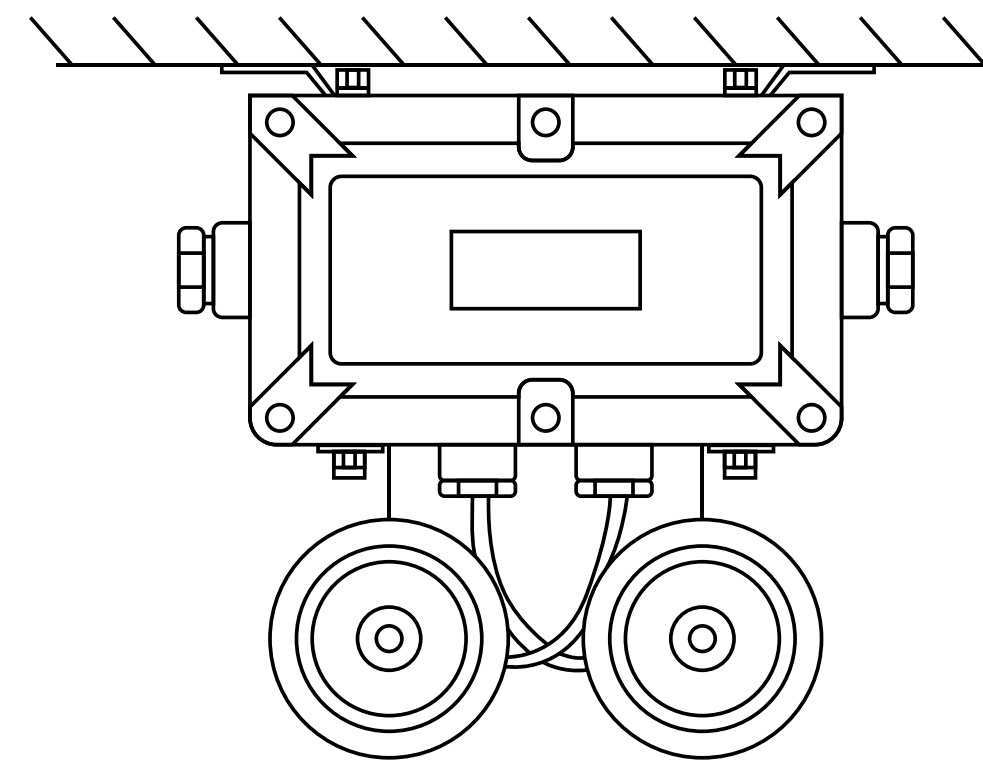
Wall Mount



Base Mount



Ceiling Mount



Overview

Dimensions

Technical Data

Imagery

Contact Us

[Overview](#)[Dimensions](#)[Technical Data](#)[Imagery](#)[Contact Us](#)

Product Code	ARENA-EX-TWINSPOT-ST
European (ATEX) Gas and Dust	II 2G Ex d IIC Gb / II 2D Ex tb Db
IP Degree	IP65
Input voltage	220VAC, 50-60Hz
Power consumption [W]	2*3
Back-up Battery	>180min
Entries	NPT 3/4" (suitable for Ø10mm-Ø14mm cable)
Size [mm]	243*570*55
Weight [kg]	2.6
Mounting Styles	Ceiling; Wall; Base Mount
Warranty	5 Years (Battery 1 Year)



DS_ARENA-EX-TWINSPOT-ST

Overview

Dimensions

Technical Data

Imagery

Contact Us

exled 

DS_ARENA-EX-TWINSPO-1

Overview

Dimensions

Technical Data

Imagery

Contact Us

Hardworking lights for tough environments

T: 01453 756361

E: sales@exled.co.uk

W: www.exled.co.uk

Exled Ltd
Topaz House, Unit C Brunel Court
Stroudwater Business Park
Stonehouse, Gloucestershire,
GL10 3SW

