

# Galaxy-XM 75-300W Sports Floodlight

Product Datasheet

The Galaxy XM Range comprises medium power LED floodlights with aimable heads specifically designed to achieve uniformity on the pitch. Top spec Philips LEDs for very high lumen efficiency, combined with excellent thermal management and a corrosion resistant coating, make the Galaxy XM range a class leading product.

### Features:

- Philips LEDs
- IP65
- Wide Choice of beam angles
- 5 Year Warranty
- Corrosion proof coating

### 5 Year Warranty

The Galaxy XM 75-300W range is the latest generation high power LED floodlight, with a circuit watt efficiency up to +145 lumens per watt. The externally rated driver can be remotely mounted if required. Robust construction and corrosion proof coating make this fixture ideal for harsh weather climates.



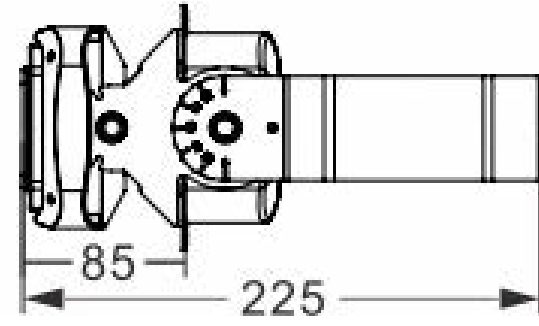
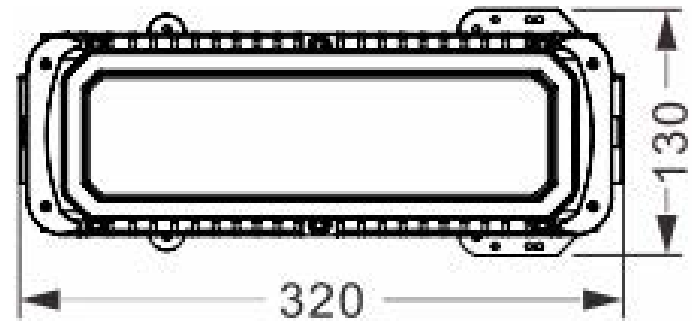
**LM-79**

**PHILIPS**  
LUMILEDS

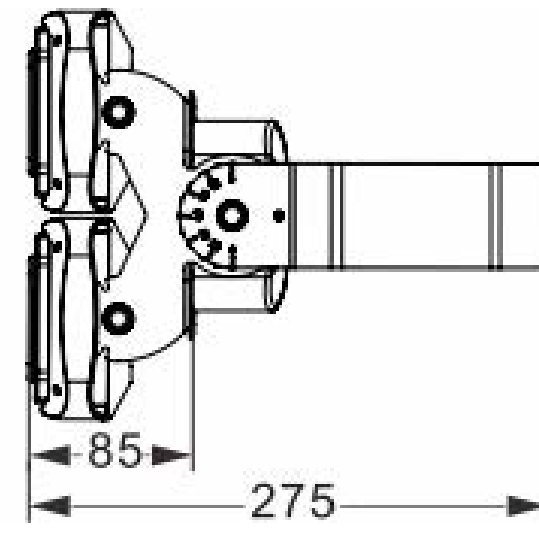
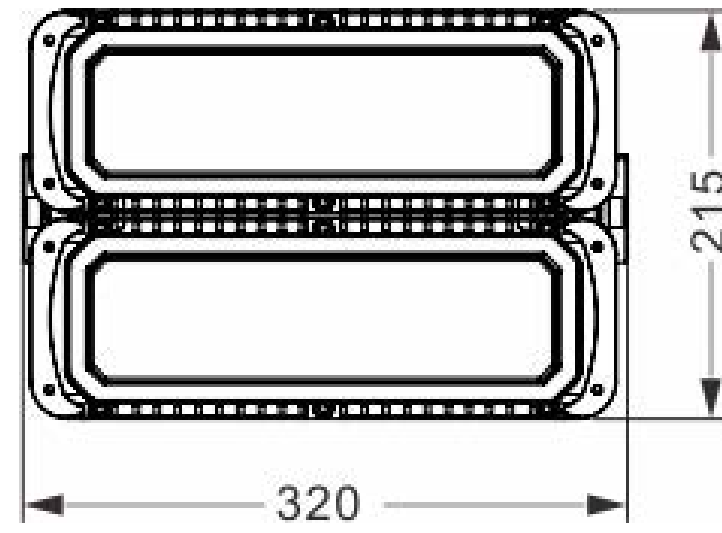


**exled**

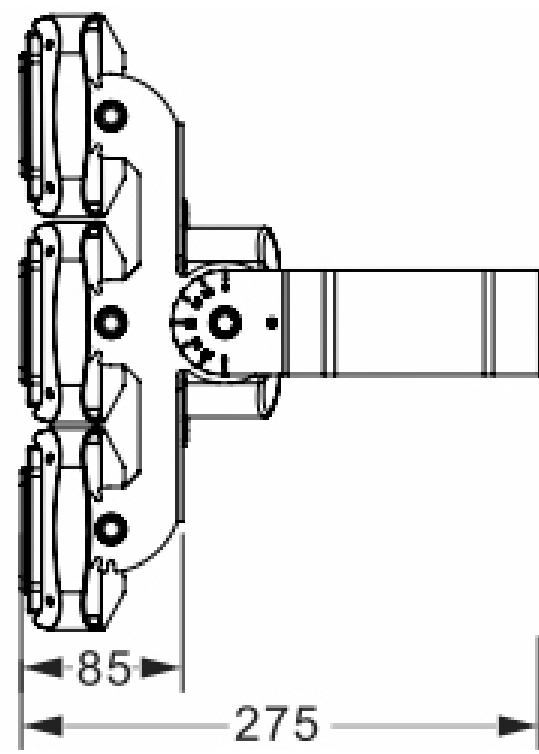
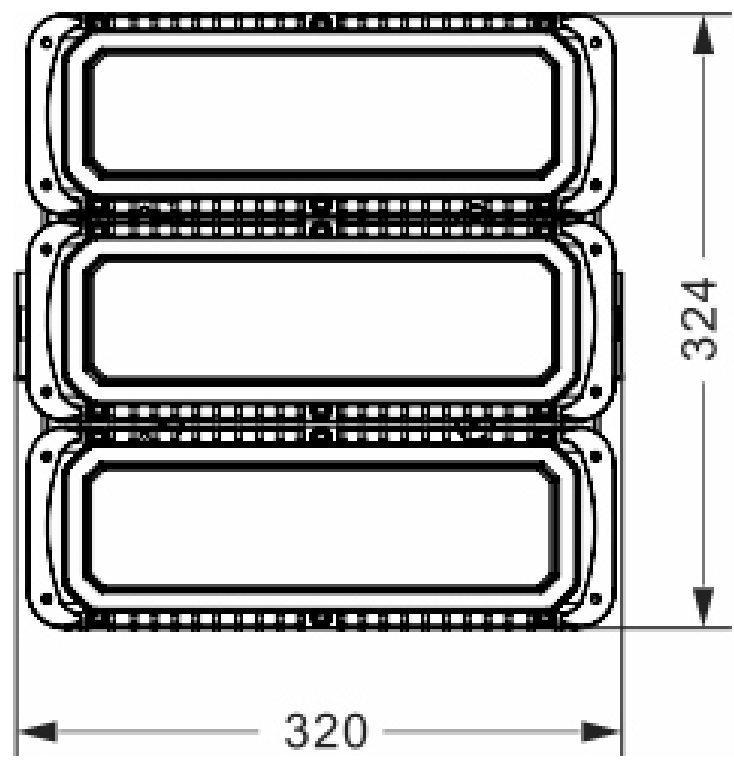




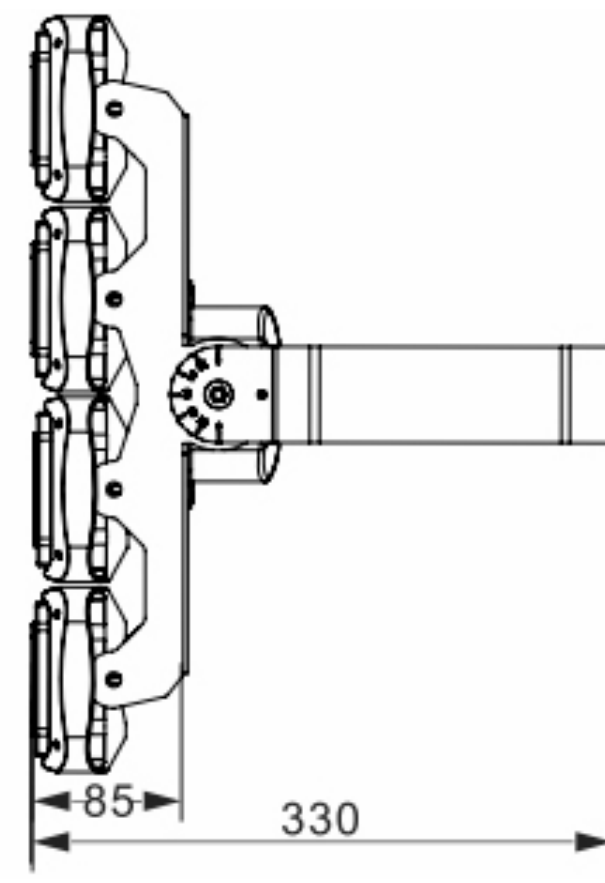
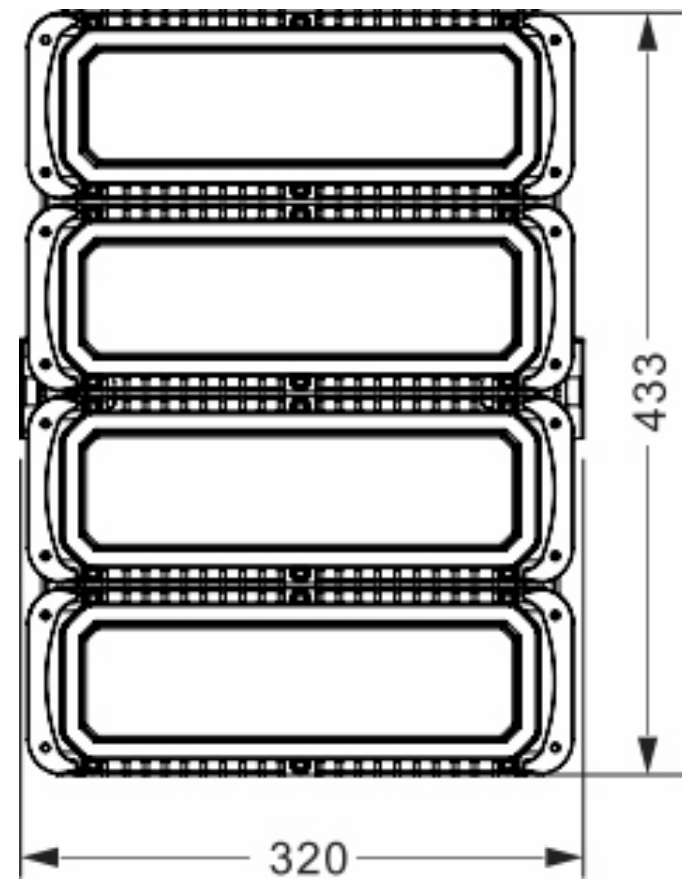
75W



150W



230W



300W

Product Code	GALAXY-XM-75W / GALAXY-XM-150W / GALAXY-XM-230W / GALAXY-XM-300W
Power	75 watts / 150 watts / 230watts / 300 watts
Lumen Output	10,800 / 21,200 / 33,100 / 44,400
Input Voltage	100-240VAC
LED Chip	Philips Lumileds
Dimmable Options	1-10v/Dali
Finish	Black or Grey Powder Coating
IP Rating	IP65
Beam Angles	15°, 25°, 60°, 90°, 110°, 25x130, 40x130, 60x130
CCT	4000K, 5000K, 6500K
Warranty	5 Years







## Hardworking lights for tough environments

**T:** 01453 756361  
**E:** [sales@exled.co.uk](mailto:sales@exled.co.uk)  
**W:** [www.exled.co.uk](http://www.exled.co.uk)

Exled Ltd  
Topaz House, Unit C Brunel Court  
Stroudwater Business Park  
Stonehouse, Gloucestershire,  
GL10 3SW