

# Ultra Tough High Bay 300-400-500-FD

Product Datasheet



The Ultra Tough High Bay range is designed to replace 400-1000 Watt SON/metal halide fixtures using the highest spec Philips SMD solution. The Lumen efficacy can exceed 130 Lumens per Watt. More light for less power.

### Features:

- 400-1000 Watt SON/metal halide high bay replacement
- Philips LEDs
- IP65 rated
- 130 Lm/Watt
- 5 Year Warranty

### 5 year warranty

A unique ultra efficient lightweight LED high bay. Ideal for use indoor environments. Ideal for areas where the lights are on many hours of the week. Using the industry's best components with LM79 test data to provide greatly increased long term reliability. Available with an optional motion and daylight harvesting sensor.

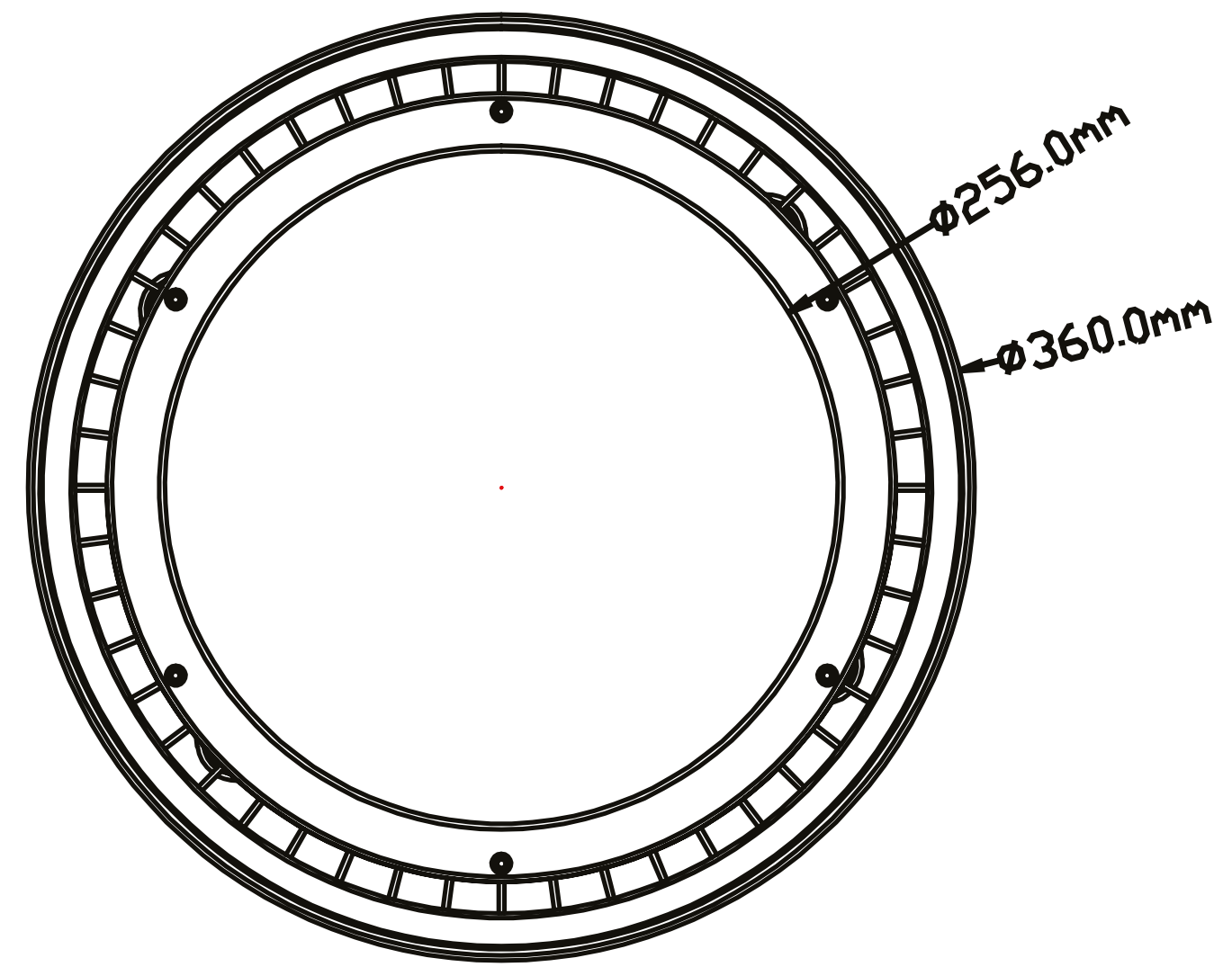
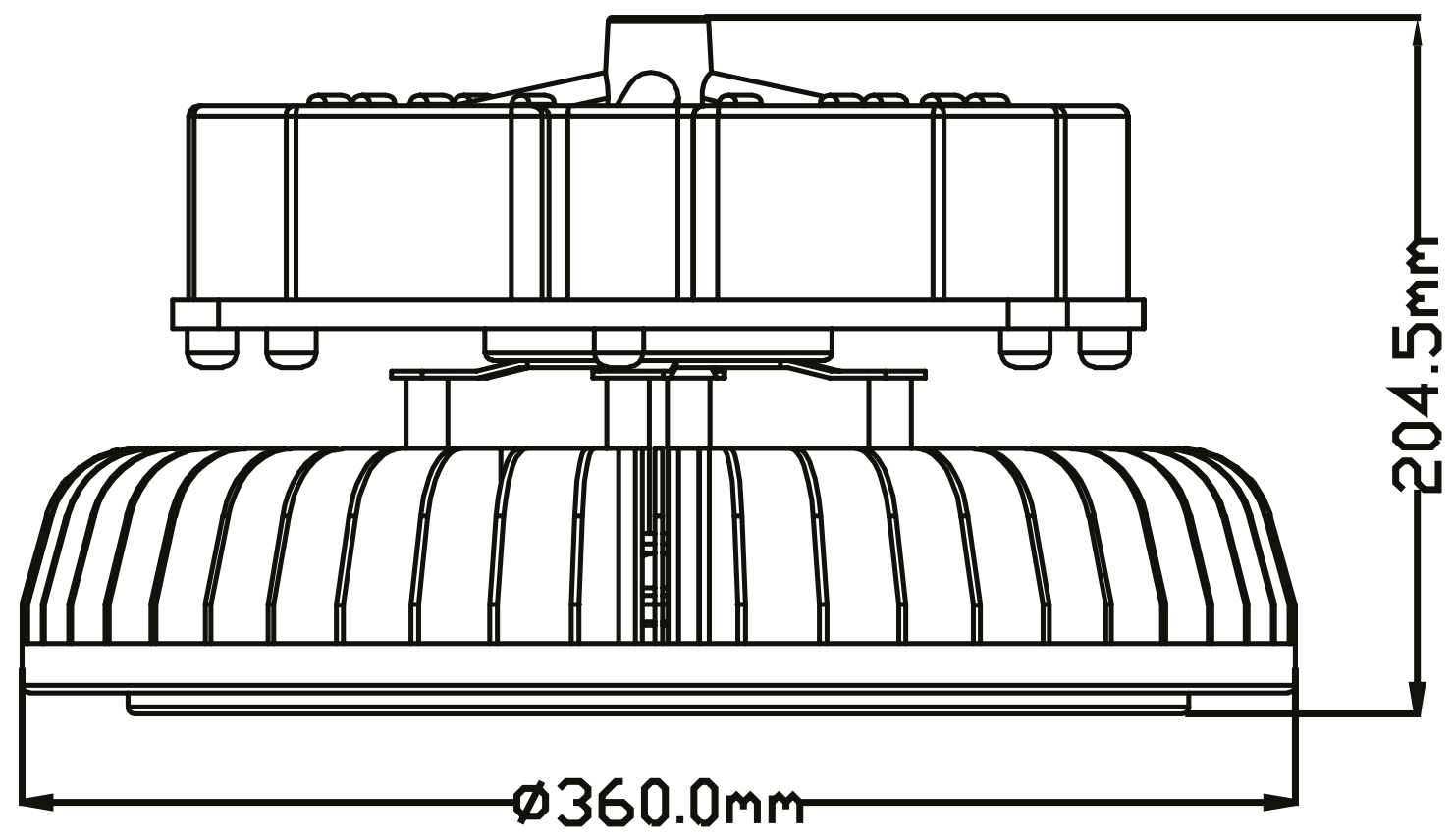


DS\_HBL-300-400-500-FD



**PHILIPS**  
LUMILEDS

**exled** 



500W

Product Code	HBL-300-FD	HBL-400-FD	HBL-500-FD
Power	300 Watts	400 Watts	500 Watts
Lumen Output lm	39,000	52,000	68,000
Input Voltage	100-277V	100-240V	100-240V
Weight KG	6.5	8.0	8.0
Colour Temperature	4000K	5000K	6000K
Operation Temperature	-30°C ~ +40°C		
Dimmable Option	1-10V (Dali Option)		
LED Lifetime	+50,000h		
AC Input Frequency	50/60Hz		
IP Rating	IP65		
CRI	82		
Guarantee	5 Years		



300W



400W



500W

## Hardworking lights for tough environments

**T:** 01453 756361

**E:** [sales@exled.co.uk](mailto:sales@exled.co.uk)

**W:** [www.exled.co.uk](http://www.exled.co.uk)

Exled Ltd  
Topaz House, Unit C Brunel Court  
Stroudwater Business Park  
Stonehouse, Gloucestershire,  
GL10 3SW