

### 5 YEAR WARRANTY

The ARENA 200W-GC is the latest Exled Gantry Crane floodlight, with an ultra narrow beam angle of 7°. At 35m mounting height 200 lux is achieved on the target area. Robust construction and corrosion proof coating make this fixture ideal for harsh environments. Resistant to vibration and salt spray.

### PRODUCT FEATURES:

- Nichia LEDs
- IP66
- 90 Lm/Watt
- 7° Beam  
(options available)
- 5 Year Warranty
- Corrosion proof coating

## Arena 200 Watt 7° Gantry Crane Floodlight



The ARENA 200W-GC high powered LED Gantry floodlight is designed for harsh environment external use. Top spec Osram LEDs, a choice of tight beam angles combined with excellent thermal management, vibration resistance, and a corrosion resistant coating make the ARENA 200W GC ideal for Port side lighting crane applications.

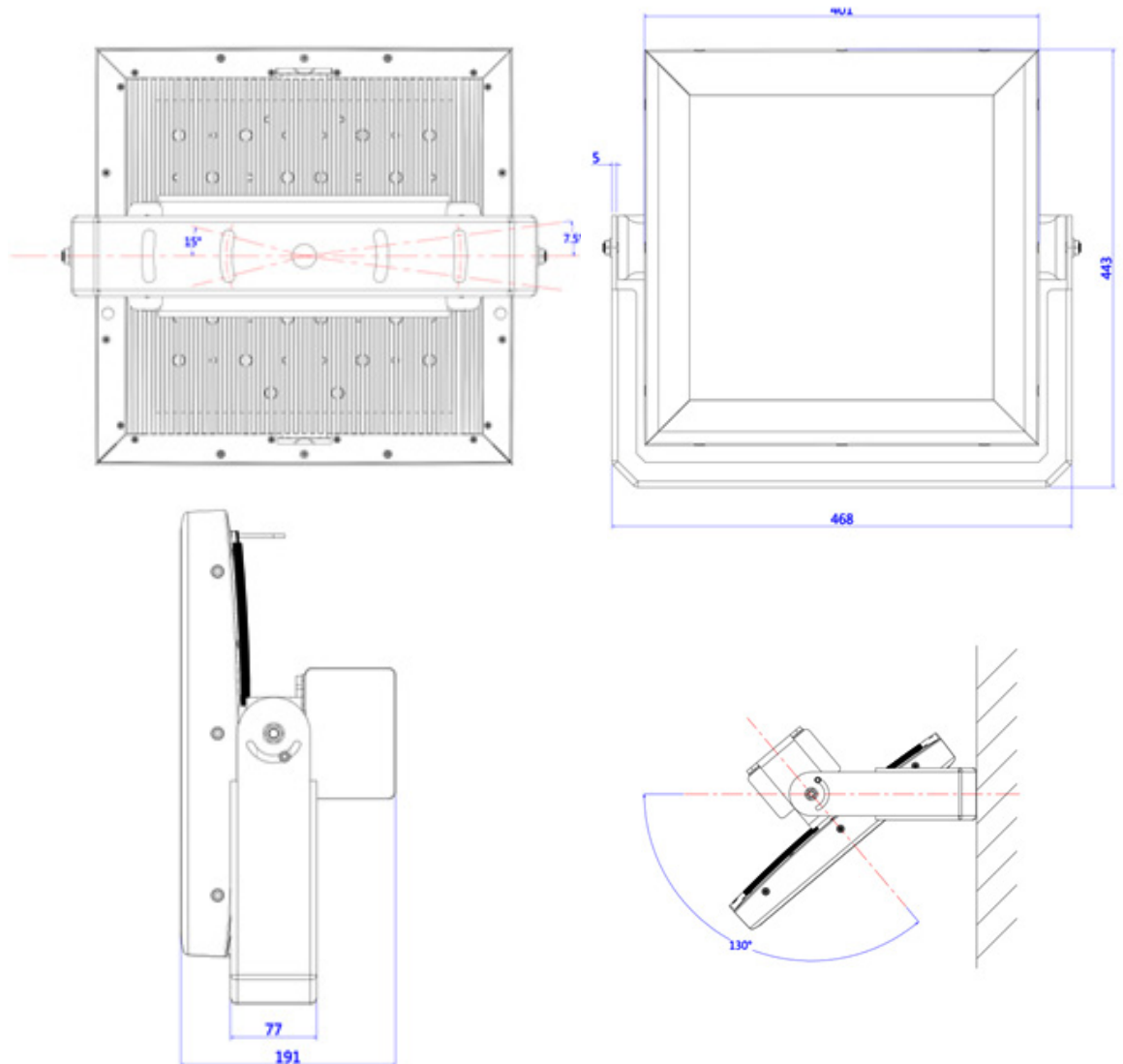


## Arena 200W-GC 7° Technical Data

A versatile Gantry floodlight for demanding external lighting applications that will deliver exceptional results, providing light exactly where it is needed.

Exled make unique and tough LED products. Full lighting design services available.

Call us for more information or your local distributor.



Product Code	ARENA 200W-GC	Operation Temperature	-30°C ~ +45°C
Power	240 Watts	Colour Temperature	2700-6500K
Input Voltage	90-305VAC	Vibration Test	5-50HZ, 50m/Sec(>5G)Pass
Lumen Output	18,000 lm	CRI	>70
LED Chip	Osram Oslan SSL	Weight	16.0kg
Dimmable Options	1-10v/ Dali available	IP Rating	IP66
LED Lifetime	+50,000h	Guarantee	5 years
AC Input Frequency	50/60Hz	Bracket	Stainless Steel Anti-Vibration, Anti-Corrosion
Beam Angles (standard)	6.9°		