

5 YEAR WARRANTY

The ARENA ASY is the latest generation high power asymmetric LED floodlight, with a circuit watt efficiency of 120 lumens per watt. The lights can be dimmed and are available with optional Bluetooth wireless control. Robust construction and corrosion proof coating combined with IP66 water and ingress protection make this fixture ideal for harsh environments.

PRODUCT FEATURES:

- Nichia LEDs
- IP66
- 120 Lm/Watt
- Choice of beam angles
- 5 Year Warranty
- Corrosion proof coating

Arena Asymmetric Sports Floodlights

100W, 150W, 200W, 400W



The ARENA high powered Asymmetric LED floodlights are designed for external use. Top spec Nichia LEDs, Exceptional build quality and a corrosion resistant coating make the ARENA ASY series suitable for many sports and leisure lighting applications. Wireless Bluetooth switching and dimming Options.

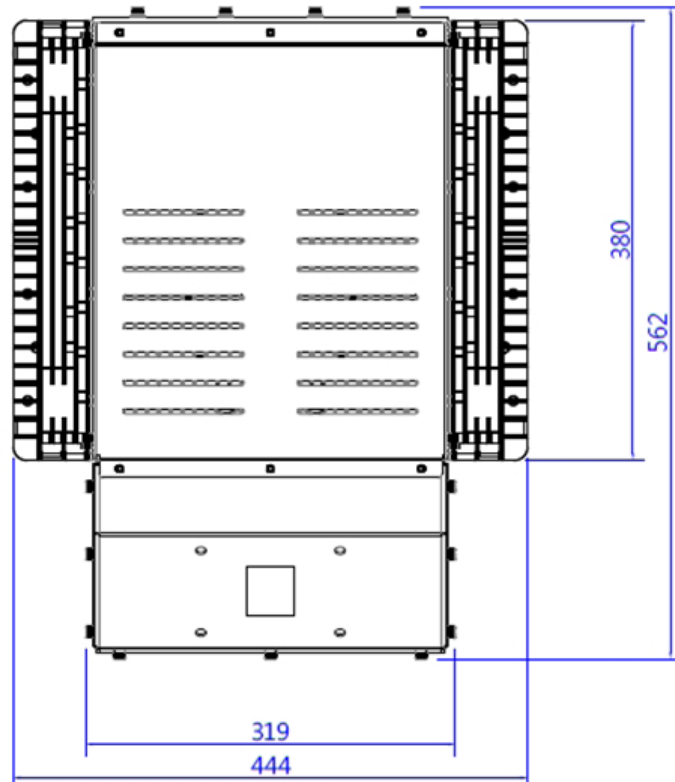
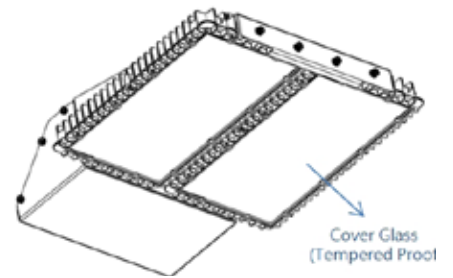


Arena 400W ASY Dimensions

A versatile floodlight for sports lighting applications that will deliver exceptional results, providing light exactly where it is needed.

Exled make unique and tough LED products. Full lighting design services available.

Call us for more information or your local distributor.

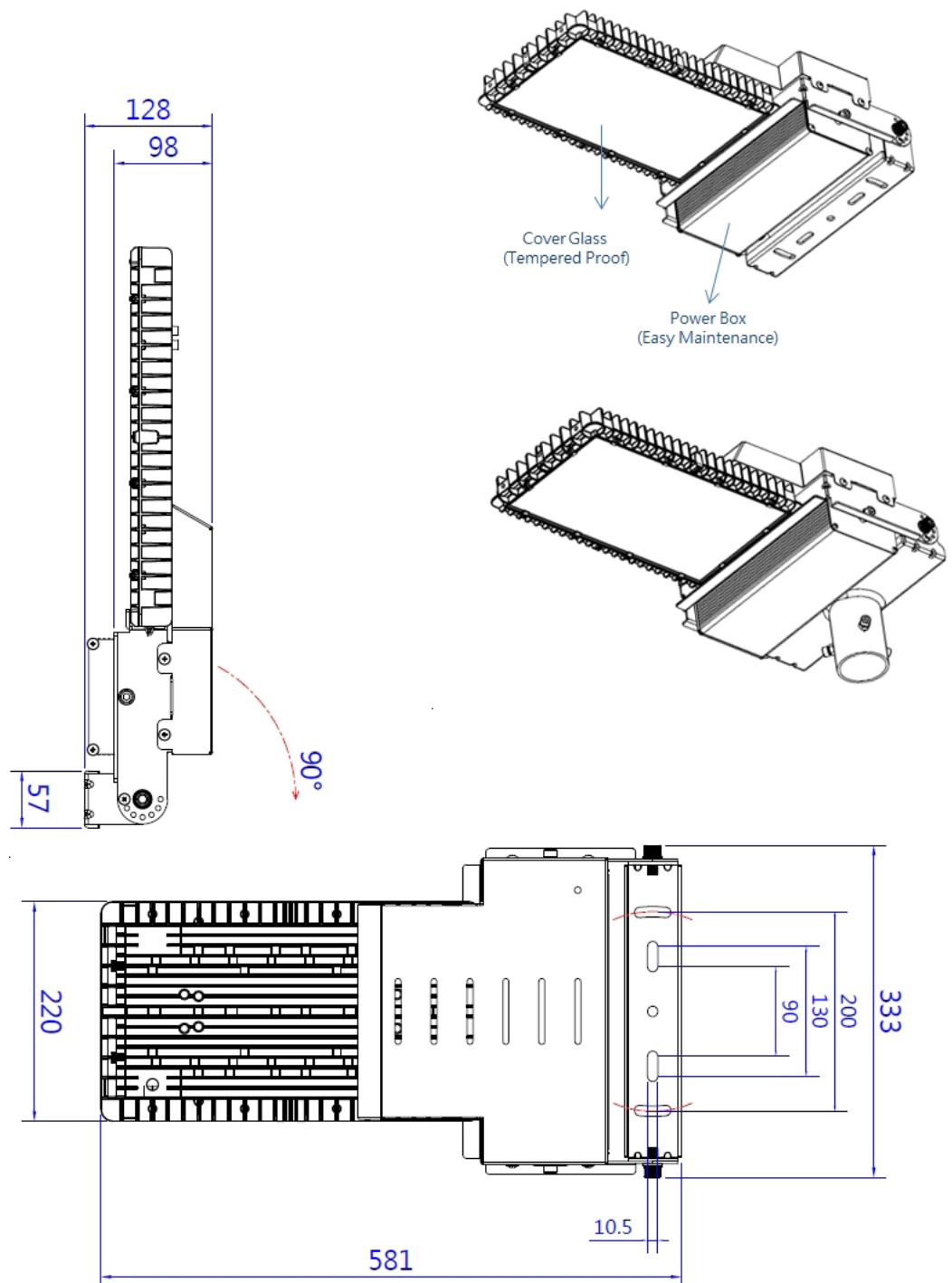


Arena ASY 100-200W Dimensions

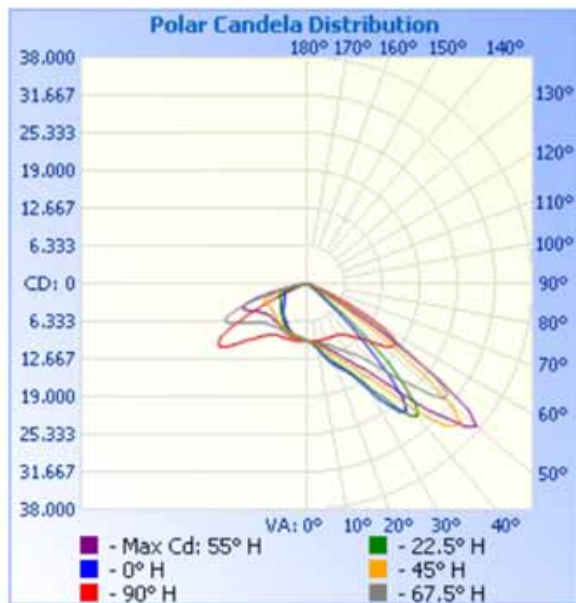
A versatile floodlight for sports lighting applications that will deliver exceptional results, providing light exactly where it is needed.

Exled make unique and tough LED products. Full lighting design services available.

Call us for more information or your local distributor.



Arena ASY Technical Data



Product Code	ARENA 400W-ASY	ARENA-200W-ASY	ARENA-150W-ASY	ARENA-100W-ASY
System Watts	400 Watts	200 Watts	150 Watts	100 Watts
Luminous Flux	49,000 Lm	23,600 Lm	16,000 Lm	12,000 Lm
Input	90-305VAC	90-305VAC	90-305VAC	90-305VAC
Dimensions	562 (L)x444 (W) x138mm	(L)581 x(W)333 x(H)128mm (+Pole Adapter:138mm)		
Beam Angle	Asymmetric Vertical Spread: 25° Horizontal Spread: 95°			
IP Rating	IP66			
Weight	14Kg	7.5Kg	7Kg	6Kg
Wireless Smart Control	BlueTech Wireless Controller Option	BlueTech Wireless Controller Option	BlueTech Wireless Controller Option	BlueTech Wireless Controller Option
Colour Temp	3000/4000/5000/5700K	3000/4000/5000/5700K	3000/4000/5000/5700K	3000/4000/5000/5700K
Operation Temp	-30°C-+40°C	-30°C-+40°C	-30°C-+40°C	-30°C-+40°C
LED Chip	Nichia NVSL219B	Nichia NVSL219B	Nichia NVSL219B	Nichia NVSL219B
Dimmable	1-10V Dimmable	1-10V Dimmable	1-10V Dimmable	1-10V Dimmable
Bracket type	Pole adapter or wall bracket			
Materials	Die-Casting ADC-10 Aluminum Heat-sink, Aluminum top cover, Stainless Power box Tempered proof cover glass			
Surge Protection	LittleFuse 10KA(Max.) 277V AC SPD, UL certified			