

## 5 YEAR WARRANTY

A unique and excellent vapour proof light fitting with very high build quality that is ideal for use in many applications including food factories. Unique coated Aluminium sealed body is far tougher than regular plastic/PC vapour proof fixtures

## PRODUCT FEATURES:

- Up to 135m/W
- 40/60/80 Watts
- Low Glare
- IK10 rating
- Dimming Option
- IP69 rated

## HiLED HXT Chemical resistant Fixture



The HILED HXT range is resistant to most common chemicals including Ammonia 3%, Chlorine, Carbonic Acid, oils etc. IK10 impact resistant and IP69K ingress protection make the HXT fixture suitable for environments with aggressive chemical cleaning regimes. Emergency back up and Dali dimming options also available

- 1200mm ( 40 Watts) 1500mm 60 Watts / 80 Watts
- 5000-9500 Lumens
- 120° Beam angle

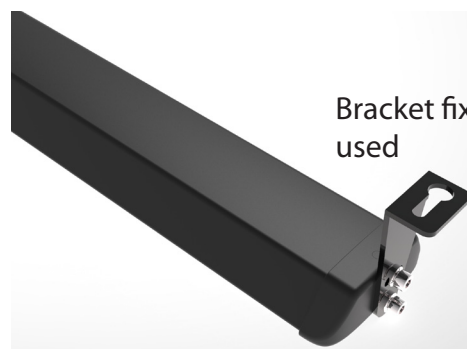
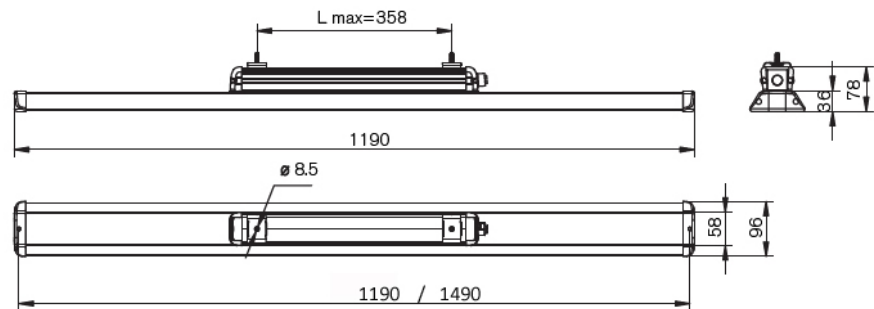


Exled make unique and tough LED products. Full lighting design services available.

Call us for more information or your local distributor.

## HiLED HXT Vapour Proof Fixture

	HiLED-HXT-40W	HiLED-HXT-60W	HiLED-HXT-80W
Power	40 Watt	60 Watt	80 Watt
Input Voltage	AC240V	AC240V	AC240V
Lumen Output	4500	7000	9500
Impact Rating		IK10	
Power Factor		0.9	
Dimmable Options		1-10V / Dali	
AC Input Frequency		50/60Hz	
Operation Temperature		-20°C ~ +35°C	
Linkable		Option - Yes	
Colour Temperature		4000K/5000K/ 6500K	
CRI		>80	
Dimension	L1190mm*W102*H75		L1490mm*W102* H75
Weight	3.8Kg		4.5Kg
IP Rating		IP69	
Guarantee		5 years	



Bracket fixing if suspension wires are not used