

5 YEAR WARRANTY

The ST-100/150W -HEXF is the latest generation high power LED street light, with a circuit watt efficiency of up to 115 lumens per watt.

Robust construction and corrosion proof coating combined with IP66 water and ingress protection make this fixture ideal for harsh environments.

PRODUCT FEATURES:

- Philips LEDs
- IP66
- 115 Lm/Watt
- Choice of 2 beam patterns
- 5 Year Warranty
- Corrosion proof coating

Street Light HEXF 100/150 Watt Marine Grade



The HEXF Series high powered LED Street light is designed for Port side areas or coastal roadways. Top spec Osram LEDs, a choice of beam angles combined with excellent thermal management and a corrosion resistant coating make the ST-HEXF watt fixtures suitable for harsh external environments. 10KA SPD protection. The driver can be remotely mounted in the post base if required.

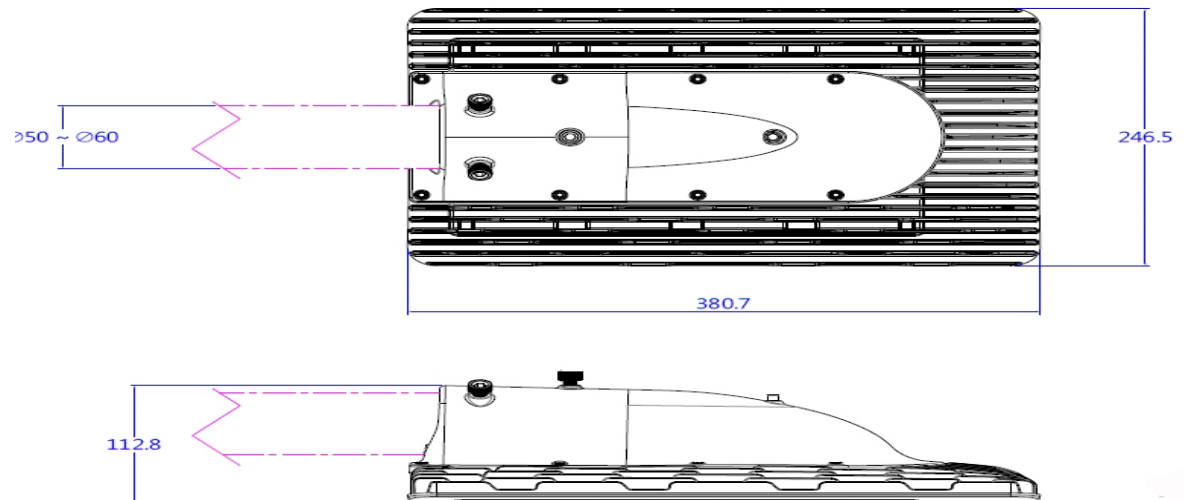


ST-100/150W-HEXF Watt Data

A versatile Post top for most road and low mast lighting applications that will deliver exceptional results, providing light exactly where it is needed.

Exled make unique and tough LED products. Full lighting design services available.

Call us for more information.



Product Code	ST-150W-HEXF	ST-100W-HEXF
Power	150 Watts	100 Watts
Input Voltage	90-305VAC	
Lumen Output	16,500 lm	11,500 lm
LED Chip	Osram	
LED Lifetime	+50,000h	
AC Input	50/60Hz	
Surge protection	10KA SPD	
Beam Patterns	Type II, Type III	
CRI	>82	
Dimensions	385L x 220W x 120H mm	
Fixing Weight	3.9/4.8Kg	
Colour Temperature	5000-6000K	
Guarantee	5 Years	