

# Arena-MG 105-150W Marine Grade Floodlight

Product Datasheet

DS\_ARENA-105-150-MG

[Overview](#)

[Dimensions](#)

[Technical Data](#)

[Imagery](#)

[Contact Us](#)

**exled** 

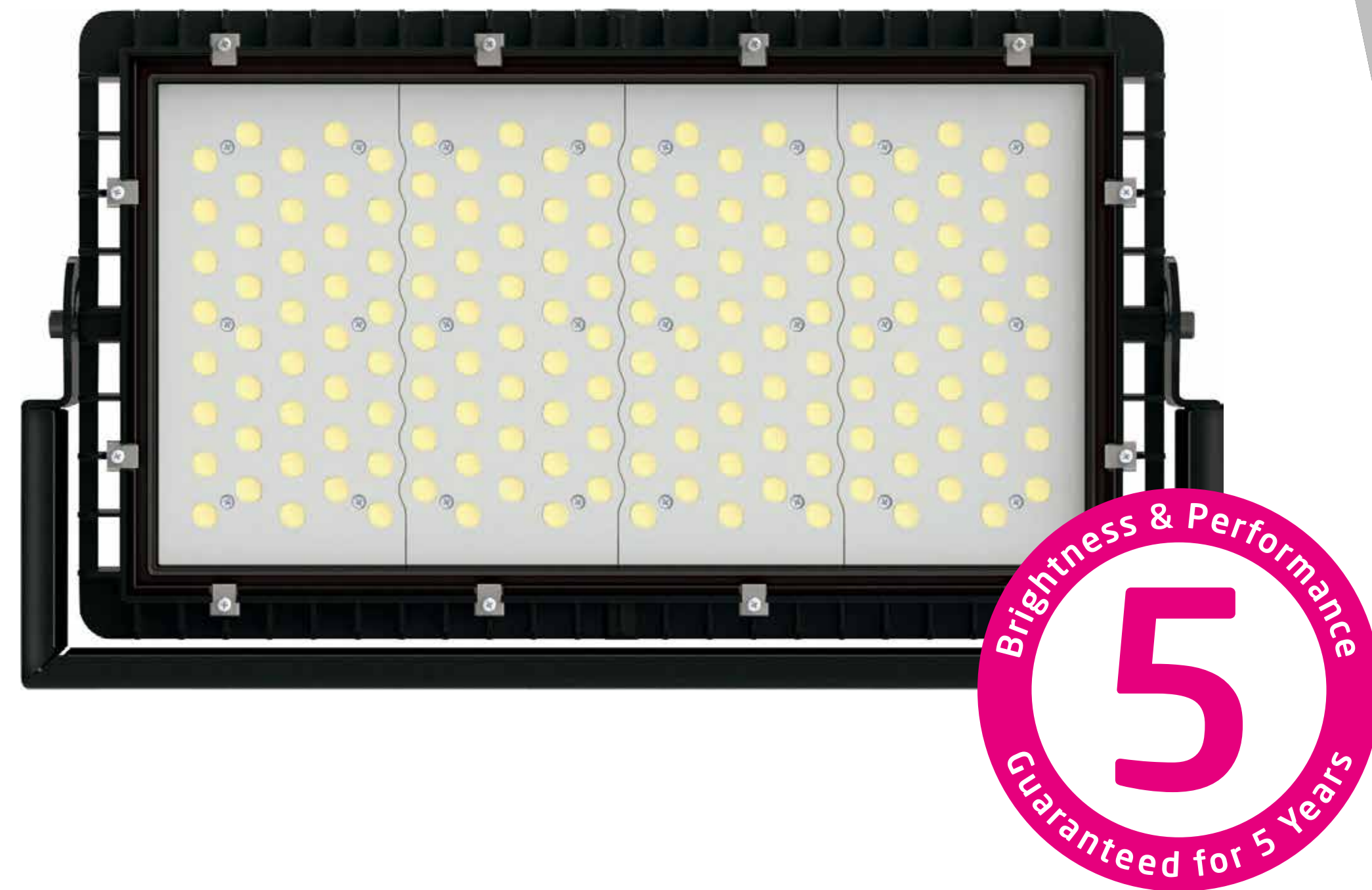
The ARENA-MG high powered LED floodlight is designed for harsh environment external use. Top spec Nichia LEDs, a wide choice of beam angles combined with excellent thermal management and a corrosion resistant coating make the ARENA 105W suitable for Marine and Port side lighting applications.

### Features:

- Nichia LEDs
- IP66
- 130 Lm/Watt
- Choice of beam angles
- 5 Year Warranty
- Corrosion proof coating

### 5 year warranty ( 2 Years sea vessels)

The ARENA-MG is the latest generation high power LED floodlight, with a circuit watt efficiency of 130 lumens per watt. The externally rated fully dimmable driver can be remotely mounted if required. Robust construction and corrosion proof coating combined with IP66 water and ingress protection make this fixture ideal for harsh environments, resistant to salt spray and Chlorine atmospheres.



DS\_ARENA-105-150-MG

Overview

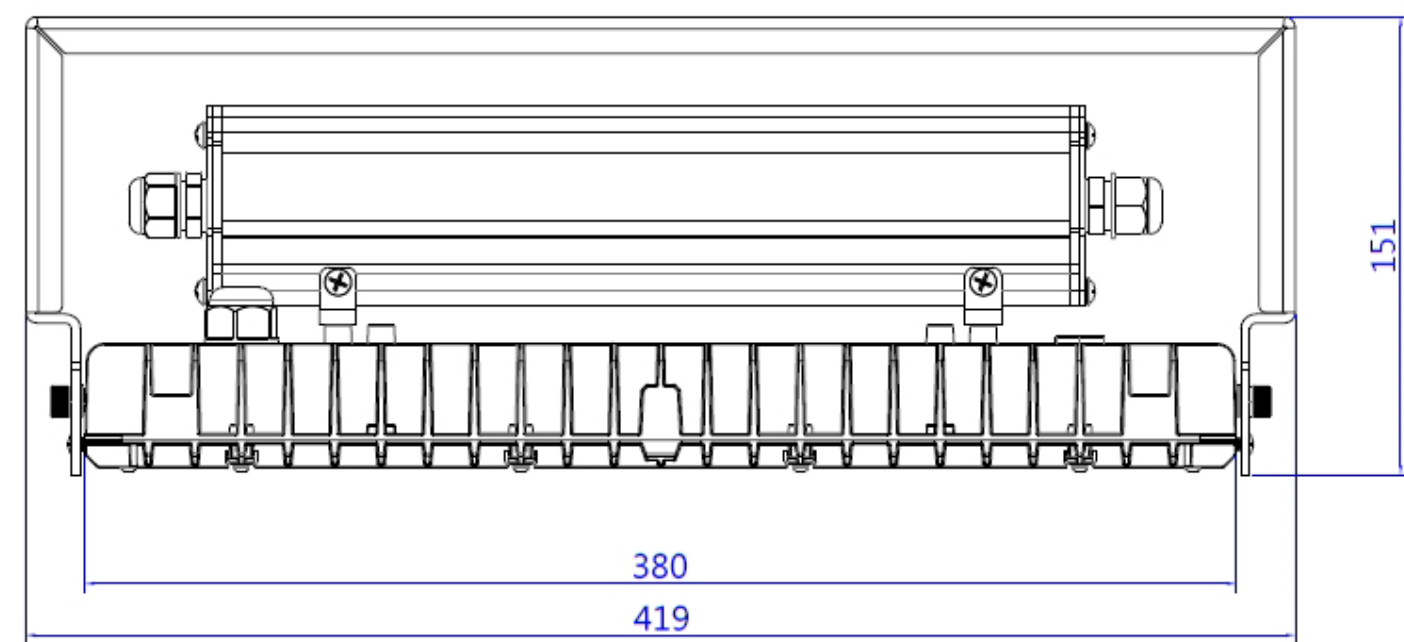
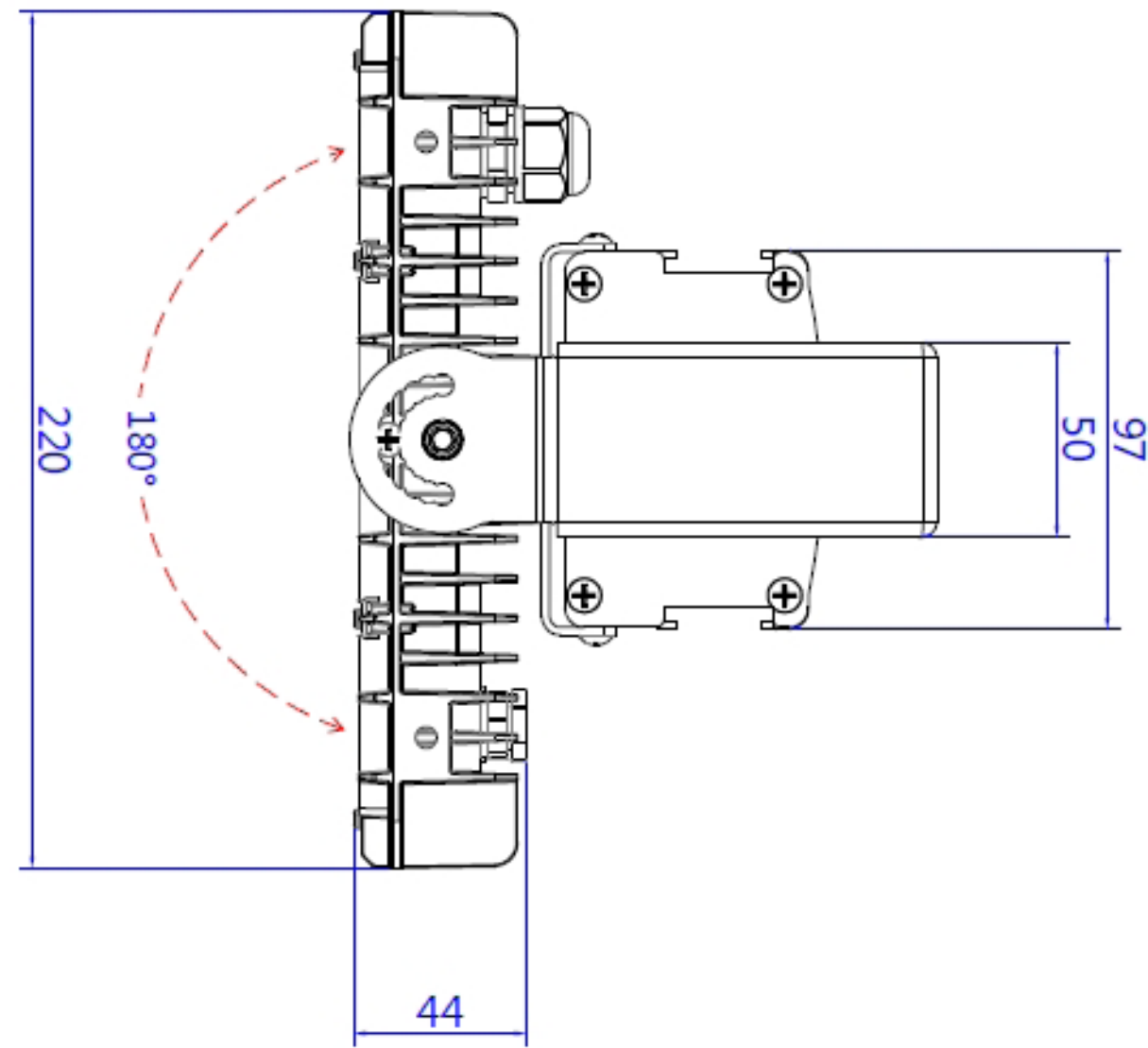
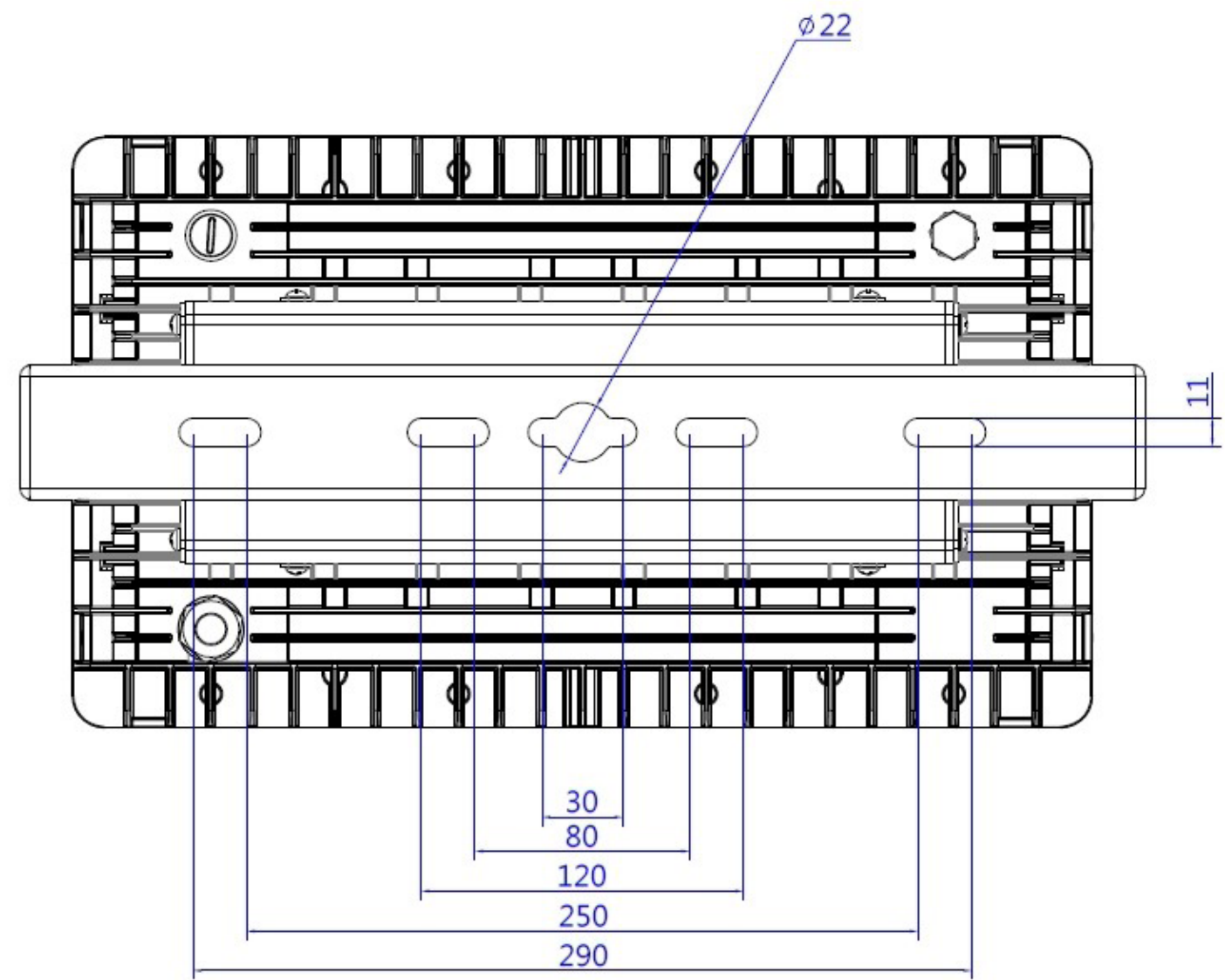
Dimensions

Technical Data

Imagery

Contact Us





Overview

Dimensions

Technical Data

Imagery

Contact Us

Product Code	Arena-MG-105 / Arena-MG-150
Power	105 Watts / 150 Watts
Input Voltage	90-305VAC
Lumen Output	11,500 / 18,200
LED Chip	Nichia NVSL219B / Osram GW PSLRI
Dimmable	1-10v
LED Lifetime	+50,000h
AC Input Frequency	50/60Hz
Beam Angles	15/30/60/80/90/110°
Operation Temperature	-40°C ~ +40°C / -20°C ~ +40°C
CT Options	2700-6500K
CT Standard	Cool White
CRI	>70
Weight	6.3KG
IP Rating	IP67
Guarantee	5 Years ( 2 Years Sea Vessels)
Bracket	Stainless Steel, Anti-Vibration, Anti-Corrosion

[Overview](#)
[Dimensions](#)
[Technical Data](#)
[Imagery](#)
[Contact Us](#)

DS\_ARENA-105-150-MG

Overview

Dimensions

Technical Data

Imagery

Contact Us



Overview

Dimensions

Technical Data

Imagery

Contact Us

## Hardworking lights for tough environments

T: 01453 756361

E: [sales@exled.co.uk](mailto:sales@exled.co.uk)

W: [www.exled.co.uk](http://www.exled.co.uk)

Exled Ltd  
Topaz House, Unit C Brunel Court  
Stroudwater Business Park  
Stonehouse, Gloucestershire,  
GL10 3SW

