

DS\_HBL-LIN-150-200-HEXF

# Ultra Bright Linear High Bay 150-200W

Product Datasheet

exled 

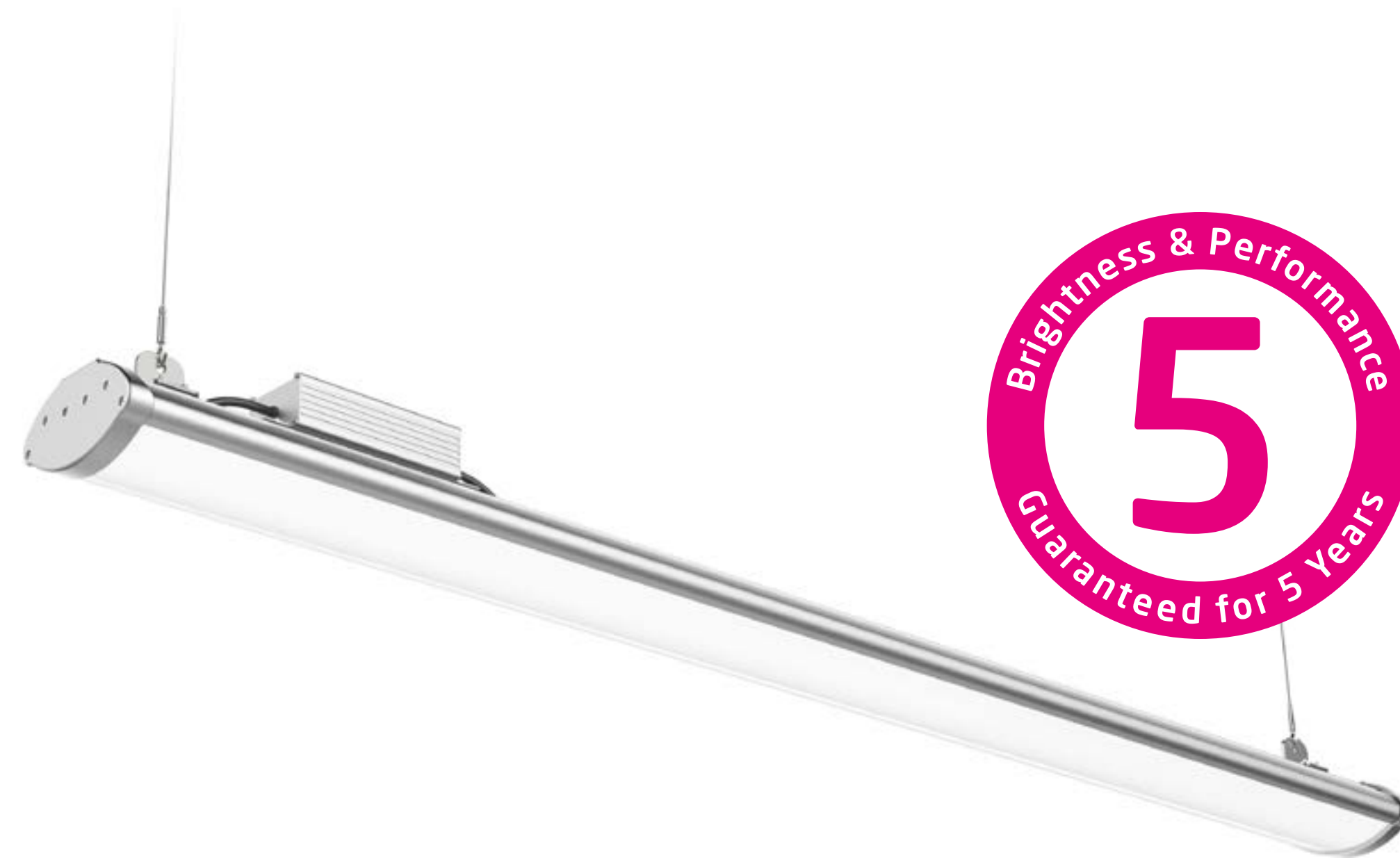
The Ultra bright Linear High Bay Range is a unique linear high bay providing a high lumen output of up to 28,000+ lumens. Will directly replace a 400 HID lamp. The advanced opal diffuser minimises glare when looking directly at the light, while the dimming function allows light levels to be adjusted as required. Ultra tough IK10 impact and IP65 ingress rated. With energy consumed just 150/200 watts and a very long working life, the Ultra bright Linear High Bay Range is ideal in areas where the lighting is on many hours each day. Available with an advanced daylight and motion sensor option, and emergency option.

### Features:

- Low Glare
- IK10 rating
- Polycarbonate cover
- Meanwell driver
- 1-10V Dimmable
- IP65

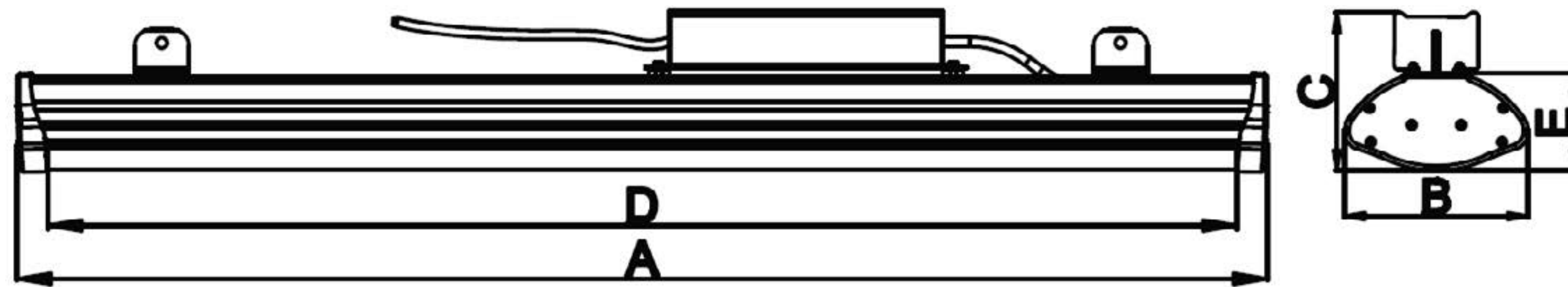
### 5 year warranty

A unique and excellent low bay/high bay light fitting with very high build quality that is ideal for use in many applications including warehouses, retail stores and also sports halls. Suitable for aisle lighting and open space lighting.



DS\_HBL-LIN-150-200-HEXF





A = 905mm (150w) -or- 1205mm (200w)

B = 135mm

C = 115mm

D = 865mm (150w) -or- 1165mm (200w)

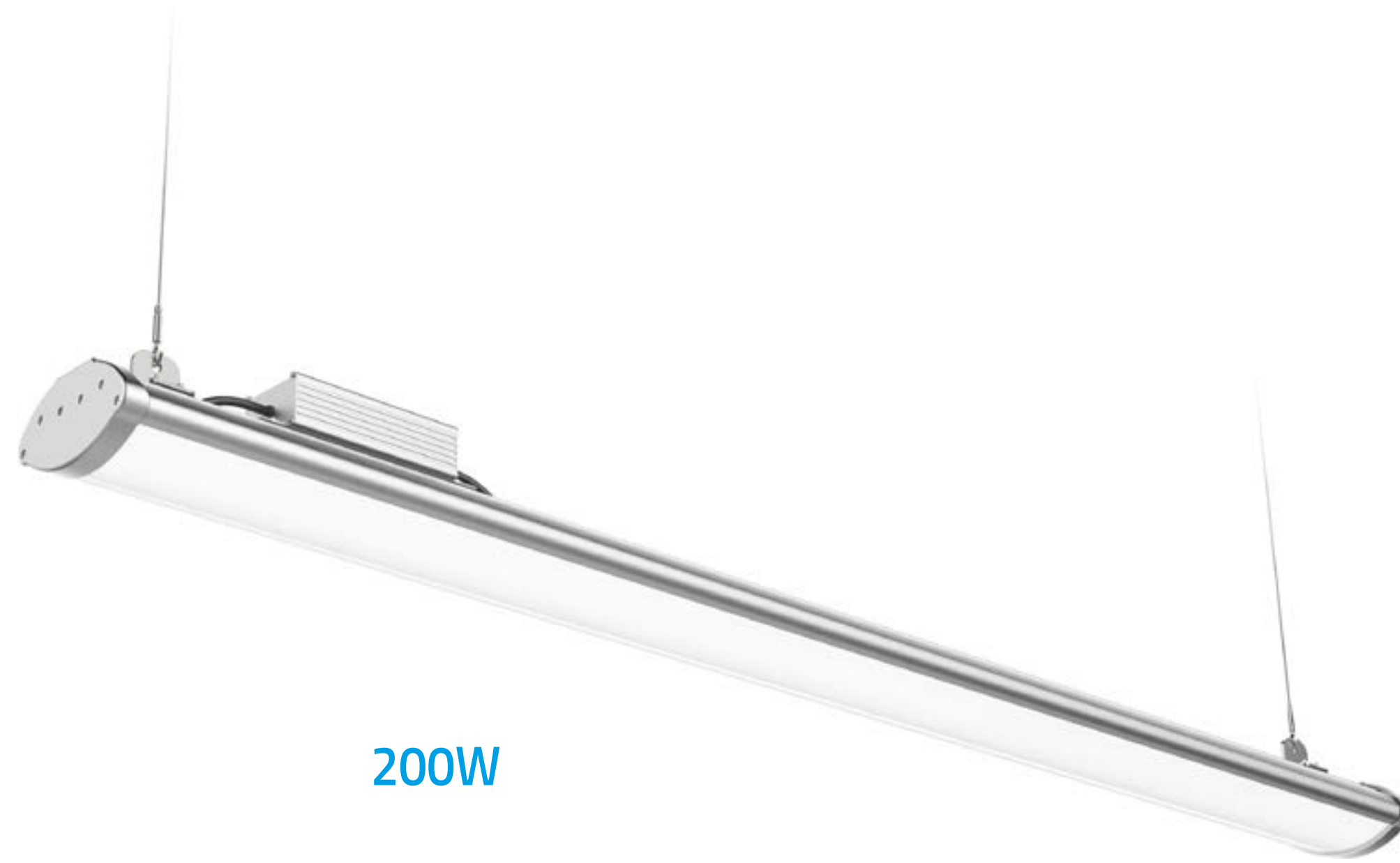
E = 72mm

Product Code	HBL-LIN-150-HEXF	HBL-LIN-200-HEXF
Power	150 Watts	200 Watts
Lumen Output lm	22,000	28,000
Operation Temperature	-30°C ~ +45°C	-30°C ~ +45°C
Weight KG	6.0	7.0
Colour Temperature	4000K/5000K/6000K	
Colour	Silver	
Input Voltage	AC100~277V	
Lumens Per Watt	140	
Power Factor	0.96	
LED Lifetime	+50,000h	
AC Input Frequency	50/60Hz	
CRI	>80	
IP Rating	IP65	
Guarantee	5 Years	

DS\_HBL-LIN-150-200-HEXF



150W



200W



DS\_HBL-LIN-150-200-HEXF

ECRANES

3.21

## Hardworking lights for tough environments

T: 01453 756361

E: [sales@exled.co.uk](mailto:sales@exled.co.uk)

W: [www.exled.co.uk](http://www.exled.co.uk)

Exled Ltd  
Topaz House, Unit C Brunel Court  
Stroudwater Business Park  
Stonehouse, Gloucestershire,  
GL10 3SW

exled 