

# LED Canopy Light 75-150W

Product Datasheet





The CNP-75-100-150-HEXF Canopy Light is designed to replace 250-400 Watt SON/metal halide fixtures using the highest spec Philips or Samsung SMD solution. The Lumen efficacy can exceed 120 Lumens per Watt. More light for less power.

### Features:

- 250-400 Watt metal halide replacement
- 3000-6500K
- Philips LEDs
- IP65 rated
- 120 Lm/Watt
- 5 Year Warranty

### 5 year warranty

An ultra efficient lightweight LED Canopy Light. Ideal for areas where the lights are on many hours of the week. Using the industry's best components with LM79 test data to provide greatly increased long term reliability.

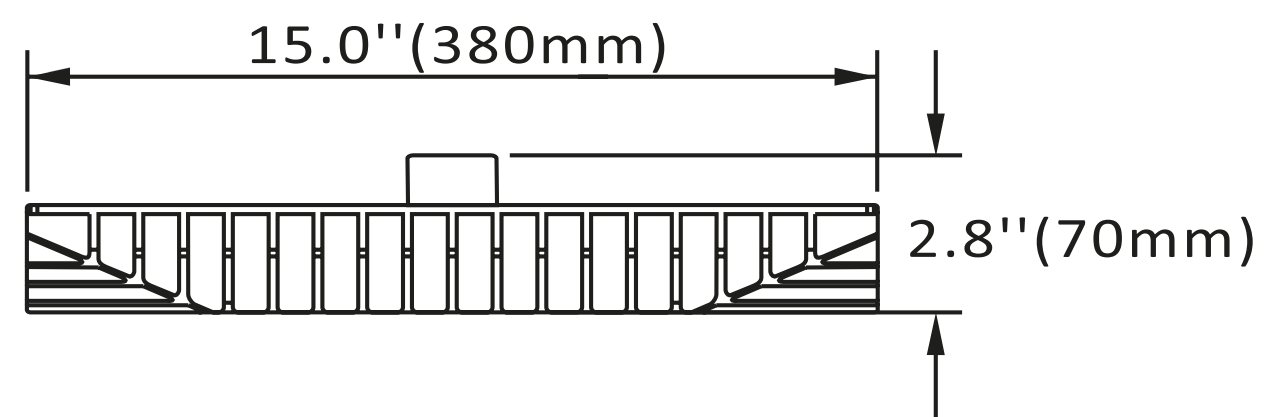
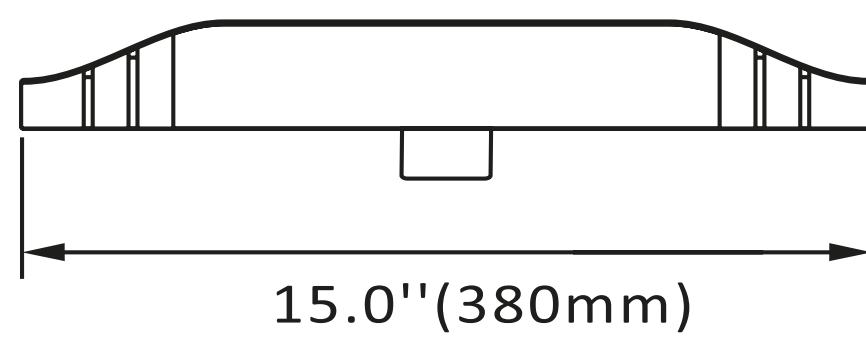
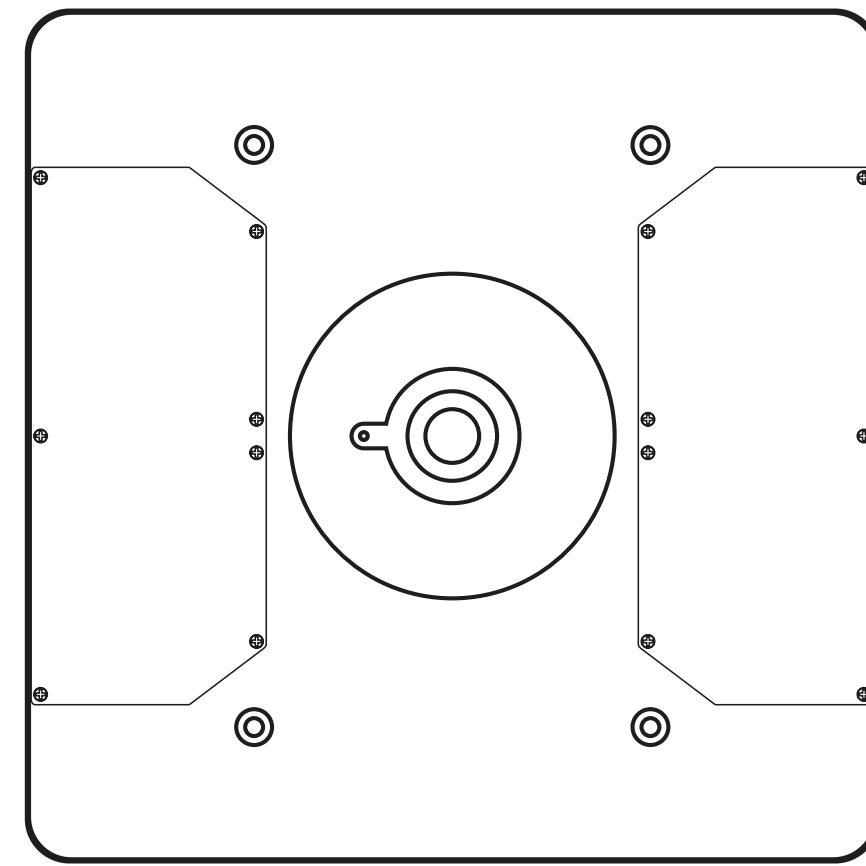
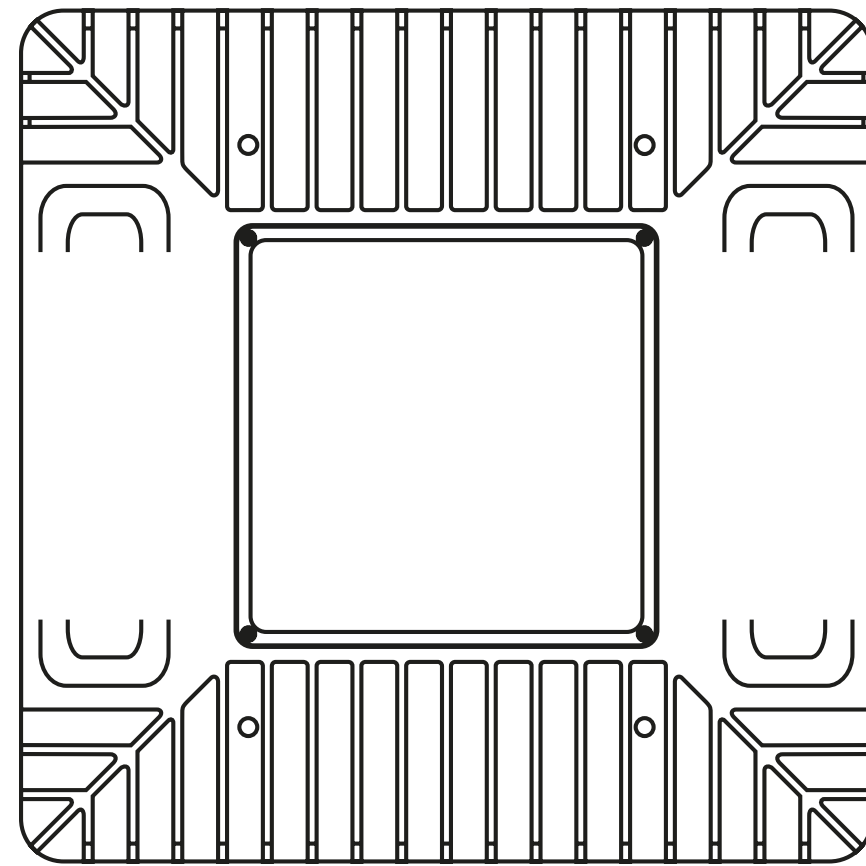


PHILIPS  
LUMILEDS

LM-79



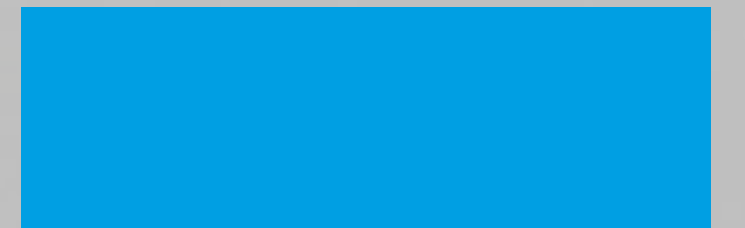
exled 



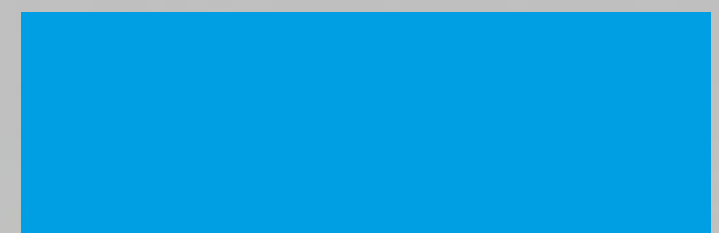
Product Code	CNP-75-HEXF-S / CNP-100-HEXF-S / CNP-150-HEXF-S
Power	75 Watts / 100 Watts / 150 Watts
Input Voltage	AC100-277V (AC200-480V available)
Lumen Output	9000lm / 12000lm / 19300lm
Dimmable	No
Lifetime	+50,000h
IP Rating	IP65
Beam Angle	110°
CCT	3000K, 4000K, 6500K
CRI	>80Ra
Warranty	5 Years



DS\_CNP-75-100-150-HEXF







## Hardworking lights for tough environments

**T:** 01453 756361  
**E:** [sales@exled.co.uk](mailto:sales@exled.co.uk)  
**W:** [www.exled.co.uk](http://www.exled.co.uk)

Exled Ltd  
Topaz House, Unit C Brunel Court  
Stroudwater Business Park  
Stonehouse, Gloucestershire,  
GL10 3SW

