

# Arena-Mini-MG 30-100W Marine Grade Floodlight

Product Datasheet



The ARENA-Mini is a compact high powered LED floodlight is designed for harsh environment external use. Top spec Osram LEDs, a wide choice of beam angles from 15° to 110° combined with excellent thermal management and a corrosion resistant coating make the ARENA 60W mini suitable for Marine and Port side lighting applications.

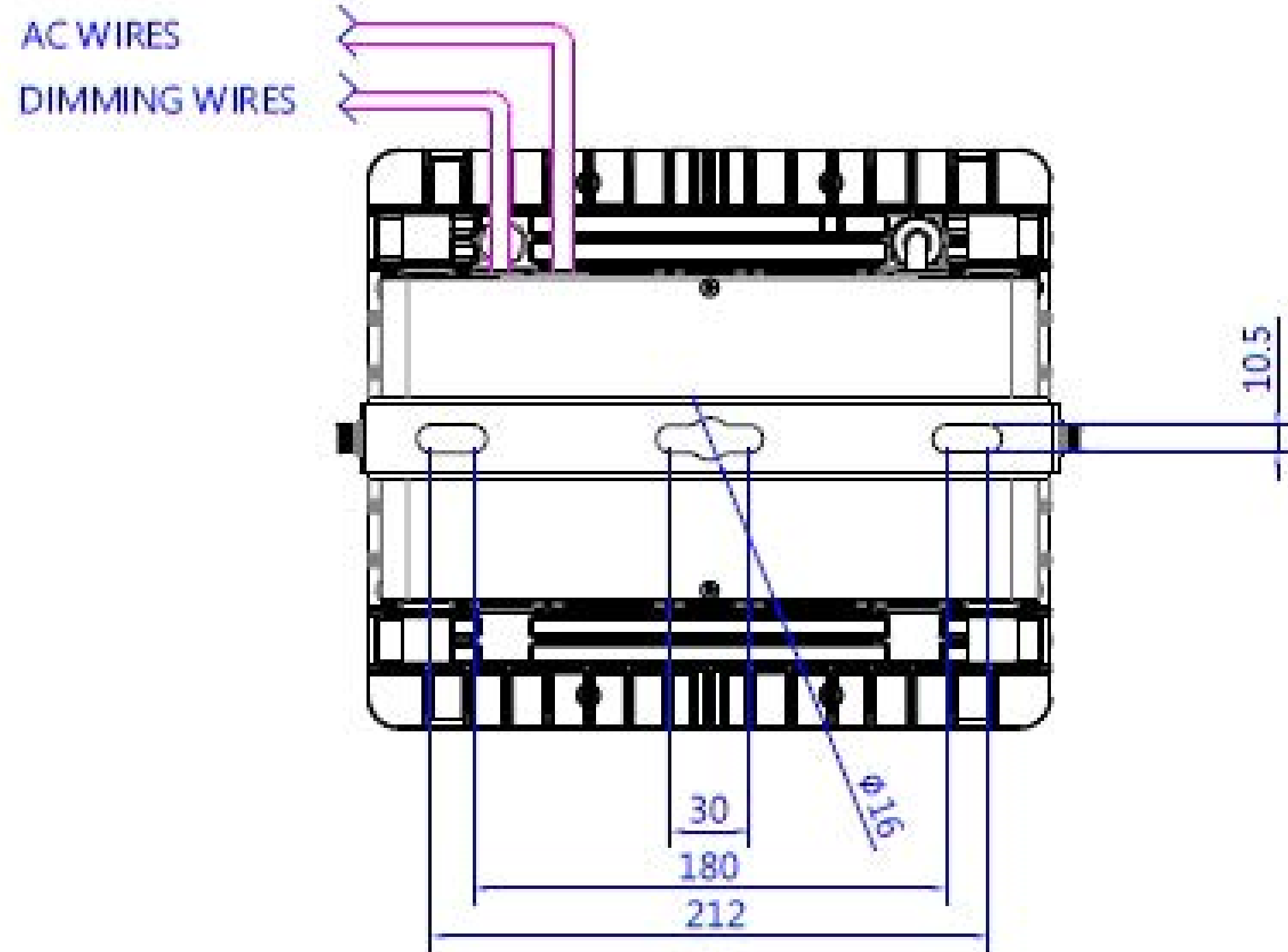
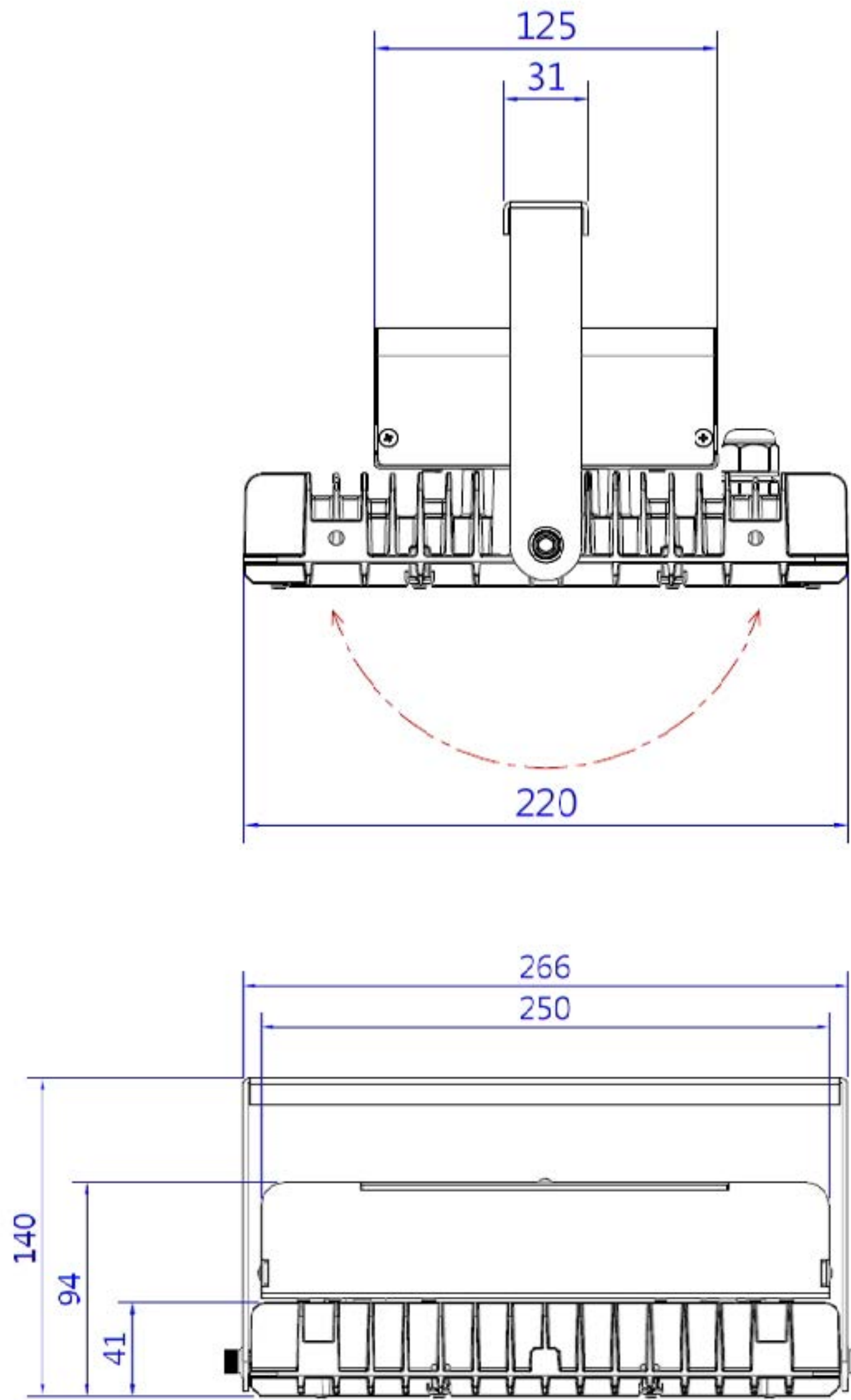
### Features:

- Osram LEDs
- IP67
- 100 Lm/Watt
- Choice of beam angles
- 5 Year Warranty
- Corrosion proof coating

### 5 year warranty

The ARENA Mini is the latest generation high power LED floodlight, with a circuit watt efficiency of 100 lumens per watt. The externally rated fully dimmable driver can be remotely mounted if required. Robust construction and corrosion proof coating combined with IP67 water and ingress protection make this fixture ideal for harsh environments, resistant to salt spray and Chlorine atmospheres.

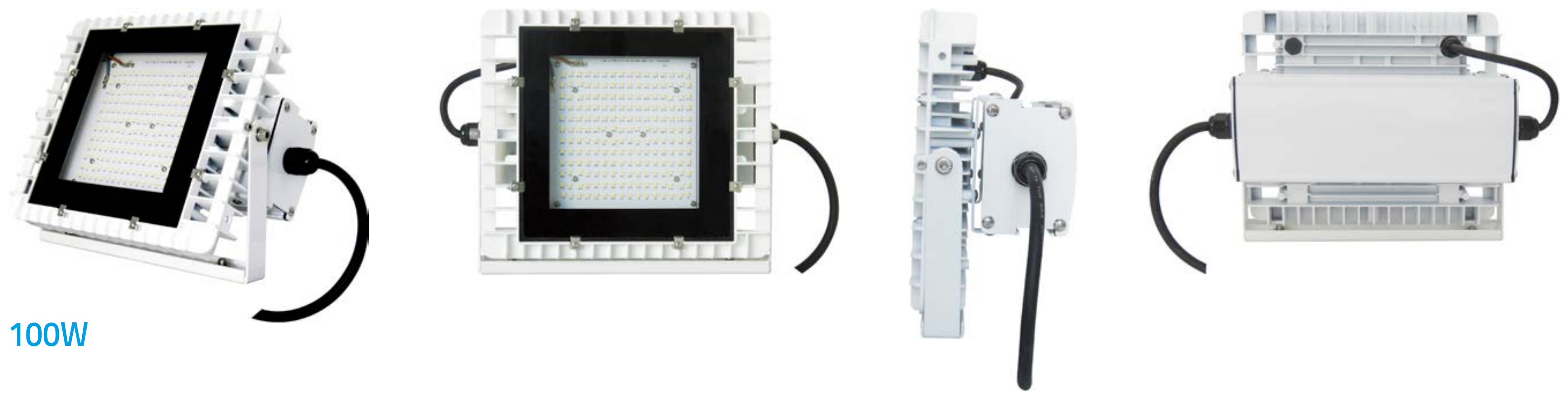




Product Code	Arena-Mini-MG-30 / Arena-Mini-MG-60 / Arena-Mini-MG-100
Power	30 Watts / 60 Watts / 100 Watts
Input Voltage	90-305VAC
Lumen Output	3200 / 6000 / 13,500
LED Chip	Osram
Dimmable	1-10v
LED Lifetime	+50,000h
AC Input Frequency	50/60Hz
Beam Angles	15/30/60/80/110° / 15/30/60/80/110° / 7-120°
Operation Temperature	-40°C ~ +40°C
CT Options	2900K, 4200K, 5800K / 2900K, 4200K, 5800K / 2700-6500K
Dimensions	220 x 266 x 82mm
CRI	>70
Weight	2.9KG / 2.9KG / 4.9KG
IP Rating	IP67
Guarantee	5 Years
Bracket	Stainless Steel, Anti-Vibration, Anti-Corrosion



60W



100W





## Hardworking lights for tough environments

**T:** 01453 756361

**E:** [sales@exled.co.uk](mailto:sales@exled.co.uk)

**W:** [www.exled.co.uk](http://www.exled.co.uk)

Exled Ltd  
Topaz House, Unit C Brunel Court  
Stroudwater Business Park  
Stonehouse, Gloucestershire,  
GL10 3SW