



White Body LED Highbay

Product Datasheet



Datasheet

Overview

Technical Data

Dimensions

Imagery

Contact us

DS_HEL-150-200-240-HEXF-W

The HBL-HEXF-W high bay is designed to replace 250-400 Watt SON/metal halide fixtures using the highest spec Nichia SMD solution. The Lumen efficacy can exceed 130 Lumens per Watt. More light for less power.

Features:

- 400 Watt SON/metal halide high bay replacement
- Nichia LEDs
- IP65 rated
- 130 Lm/Watt
- 5 Year Warranty

5 year warranty

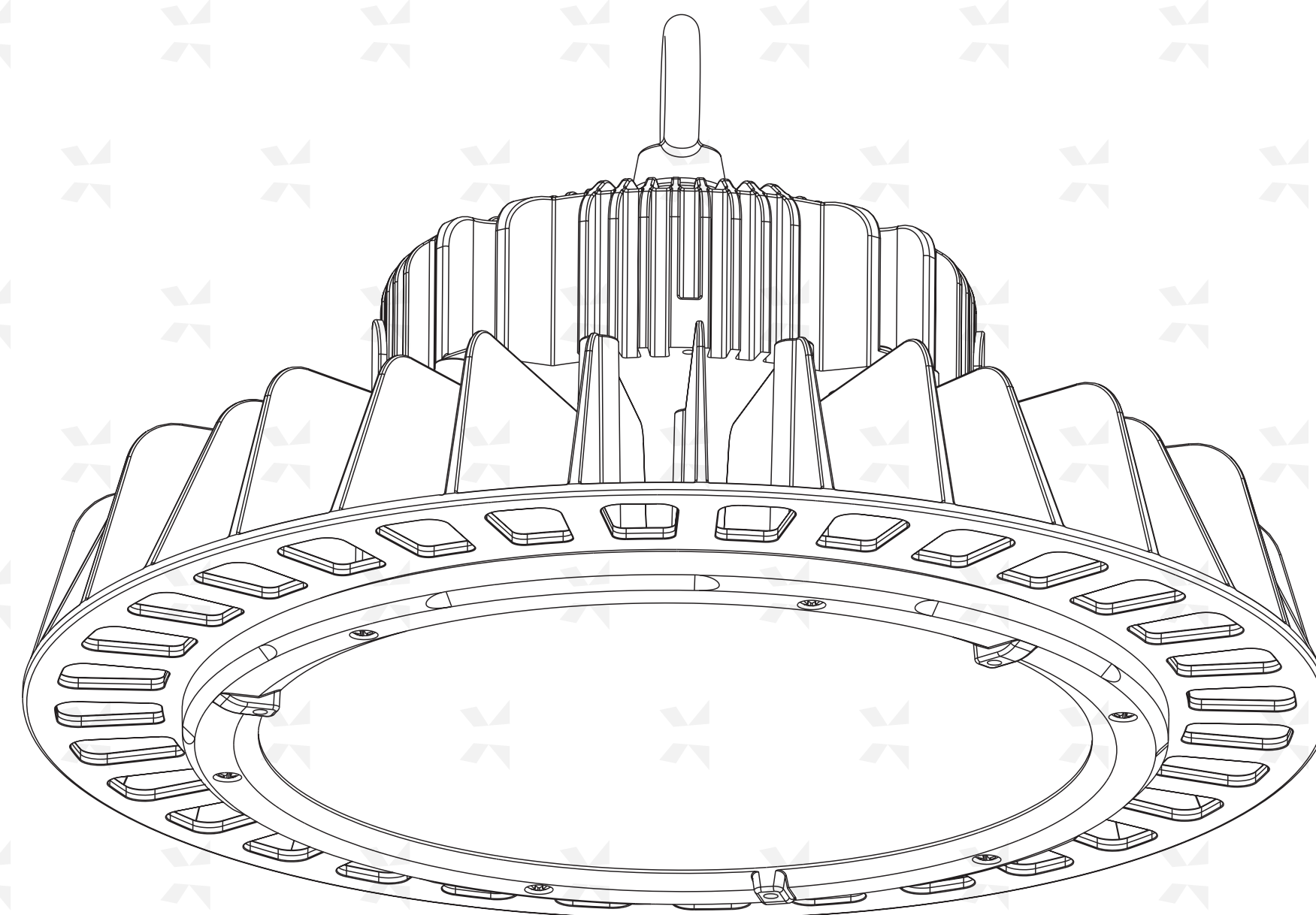
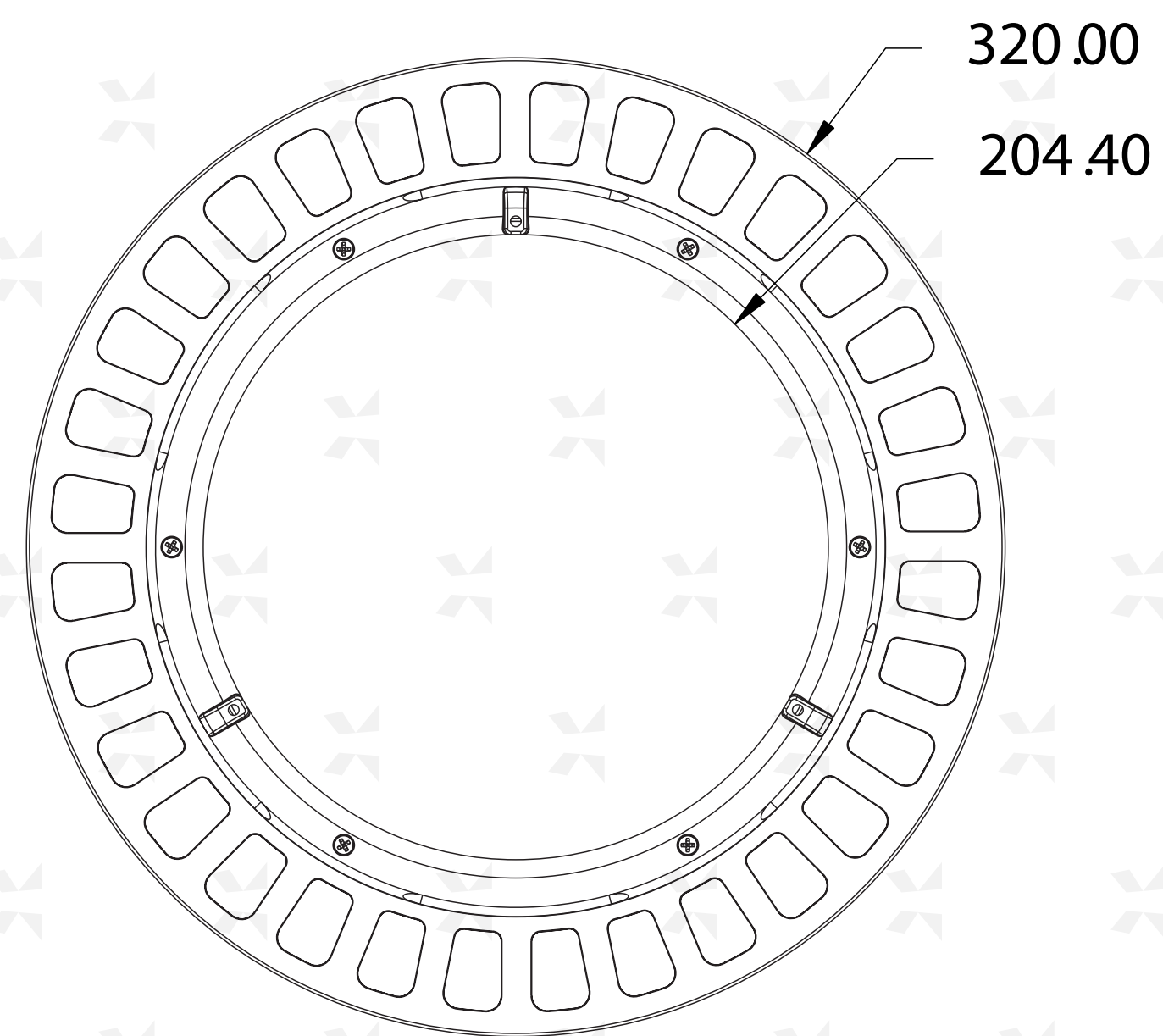
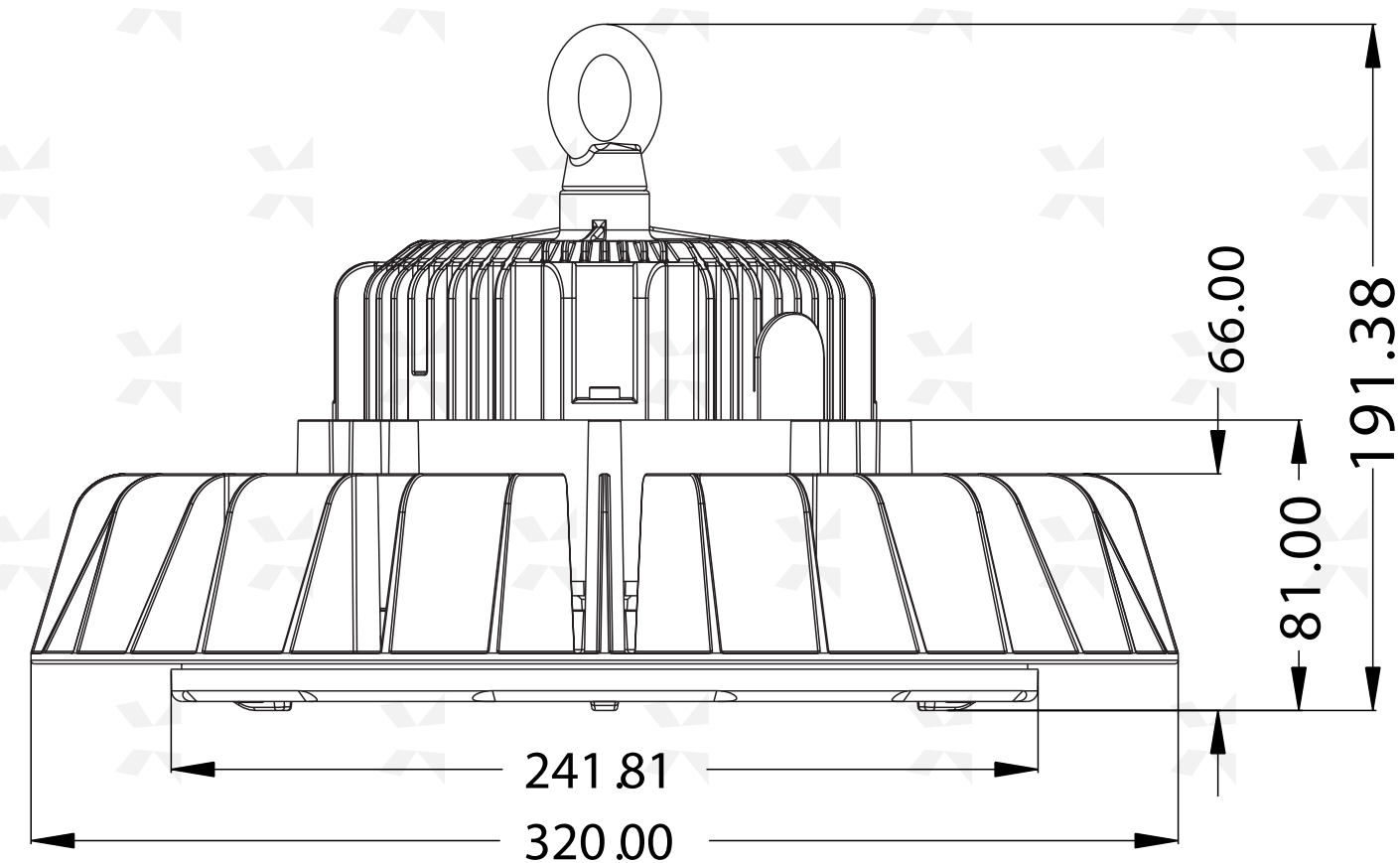
A unique ultra efficient lightweight LED high bay. Ideal for use indoor environments. Ideal for areas where the lights are on many hours of the week. Using the industry's best components with LM79 test data to provide greatly increased long term reliability. Available with an optional motion and daylight harvesting sensor.



For more information about the product featured in this datasheet please contact the experts at Exled. Call **01453 756 361**, email sales@exled.co.uk or visit exled.co.uk

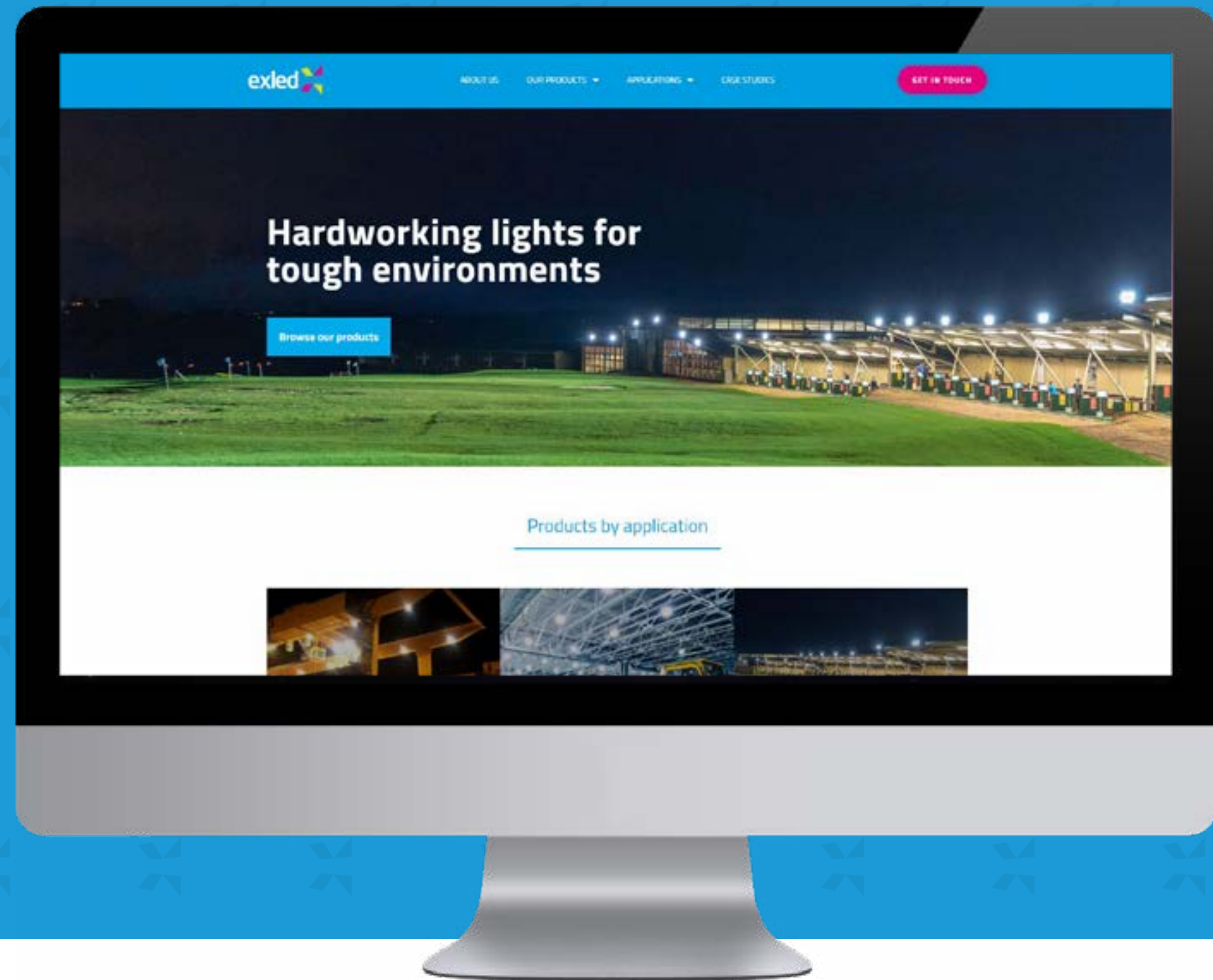


Product Code	HBL-150-HEXF-W	HBL-200-HEXF-W	HBL-240-HEXF-W
Power (Watts)	150	200	240
Lumen Output	19,500	26,000	40,000
Weight (KG)	4.8	5	5
Input Voltage	AC90-305V		
LED Lifetime	+50,000 Hours		
Finish	White		
IP Rating	IP65		
Beam Angle	110°		
CCT	5000K		
Warranty	5 Years		
CRI	>70		
Operation Temperature	-10°C ~ +40°C		





Visit our website exled.co.uk



For more information about the product featured in this datasheet please contact the experts at Exled.

Call **01453 756 361** or email sales@exled.co.uk