

# Arena M Marine Grade Floodlight

Product Datasheet





DS\_ARENA-200-280-350-560-700-M

The Arena Marine Grade Range comprises LED floodlights specifically designed for Port side and Marine applications. Unique features include a wide choice of beam angles, superior heatsink design for excellent thermal management, advanced bracketry, stainless steel fixings, and an ultra-tough corrosion resistant coating. Top spec Nichia or Cree LEDs for very high lumen efficiency. Vibration resistant.

### Features:

- IP67
- 130 Lm/Watt
- Choice of beam angles
- 5 Year Warranty
- Corrosion proof coating

### 5 year warranty

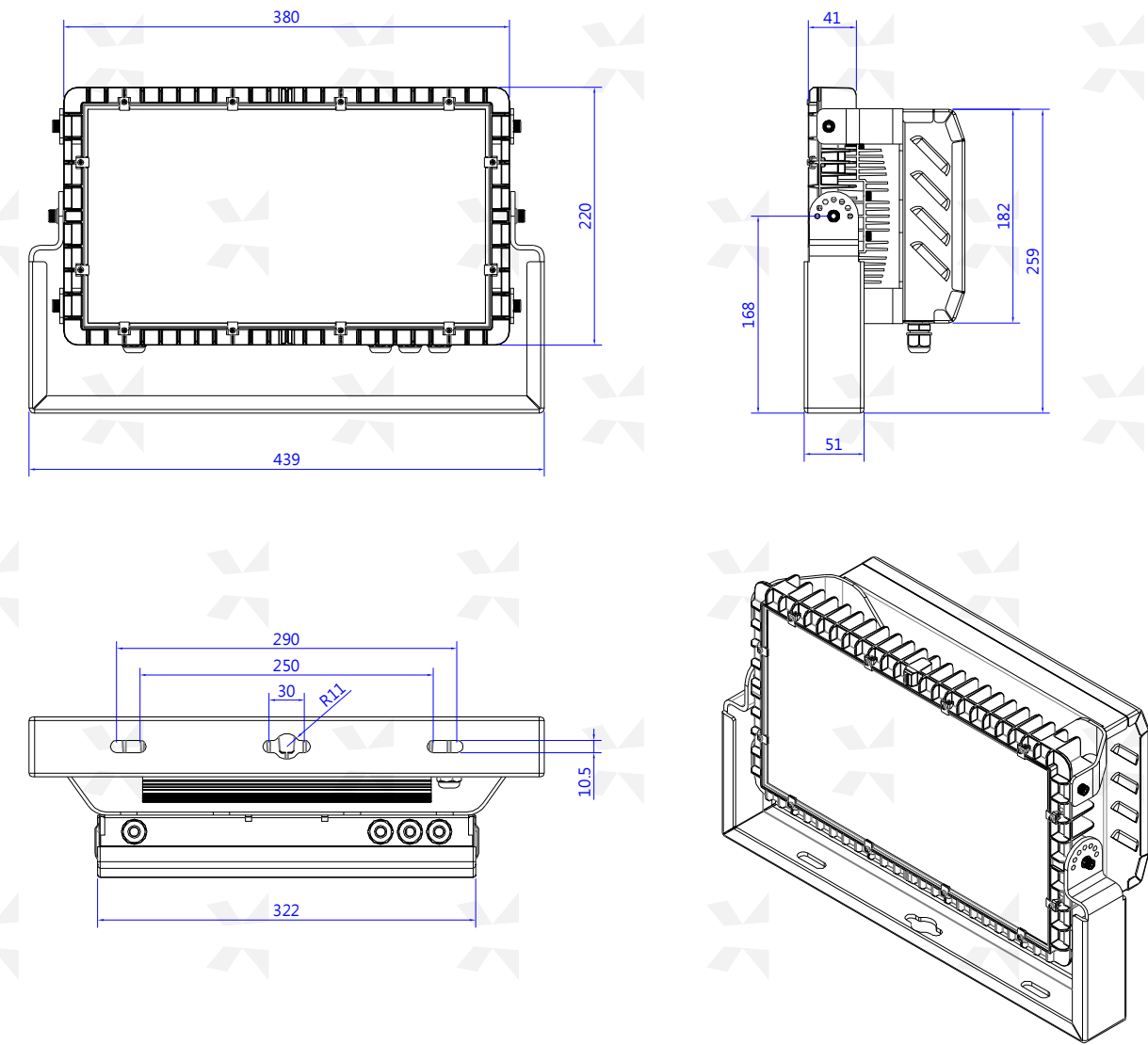
The Arena Marine Grade Range is the latest generation high power LED floodlight, with a circuit watt efficiency of 130 lumens per watt. The externally rated fully dimmable drivers can be remotely mounted if required. Robust construction and corrosion proof coating combined with IP67 water and ingress protection make this fixture ideal for harsh environments resistant to salt spray and chlorine atmospheres.



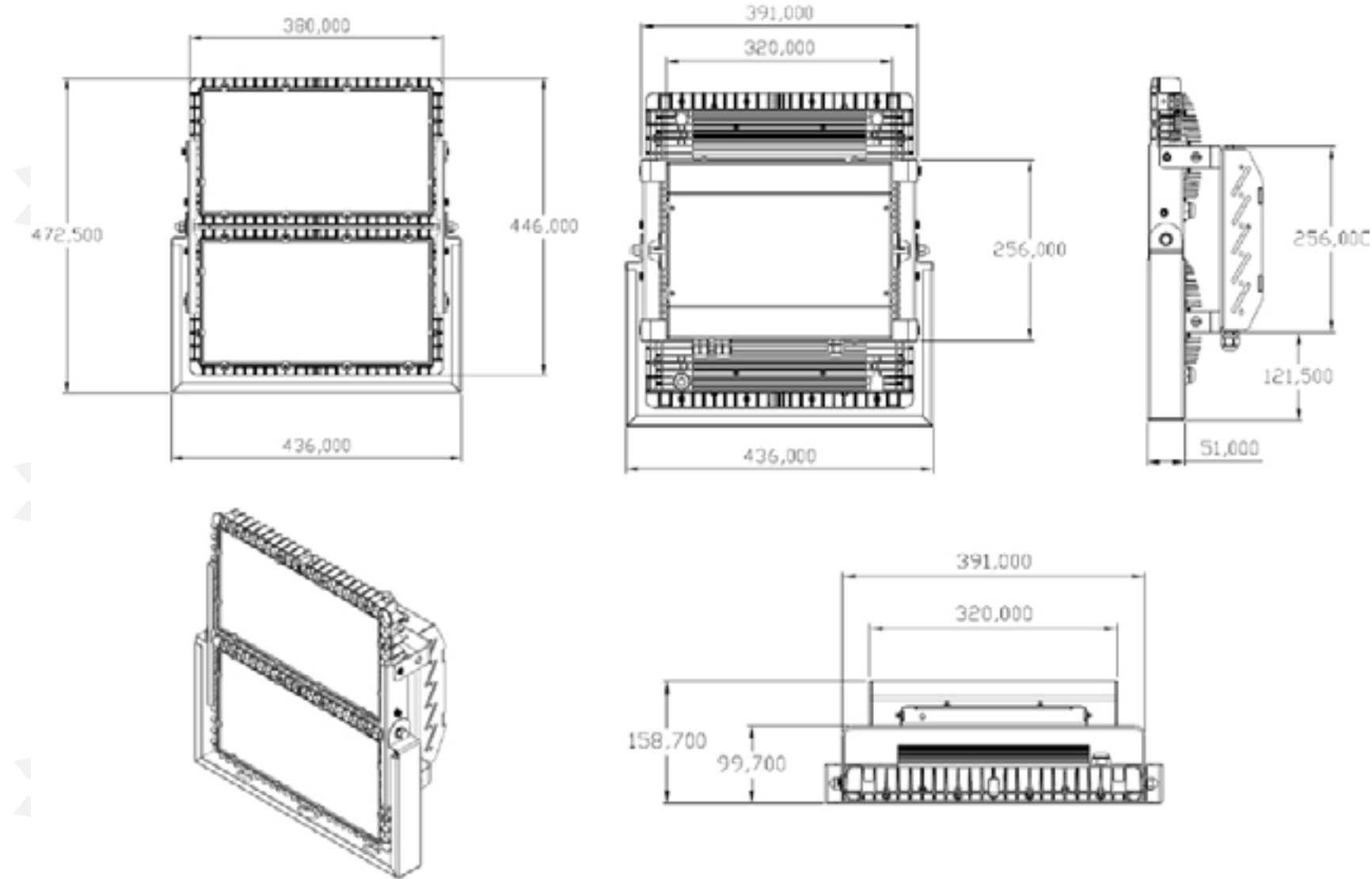
For more information about the product featured in this datasheet please contact the experts at Exled. Call **01453 756 361**, email [sales@exled.co.uk](mailto:sales@exled.co.uk) or visit [exled.co.uk](http://exled.co.uk)



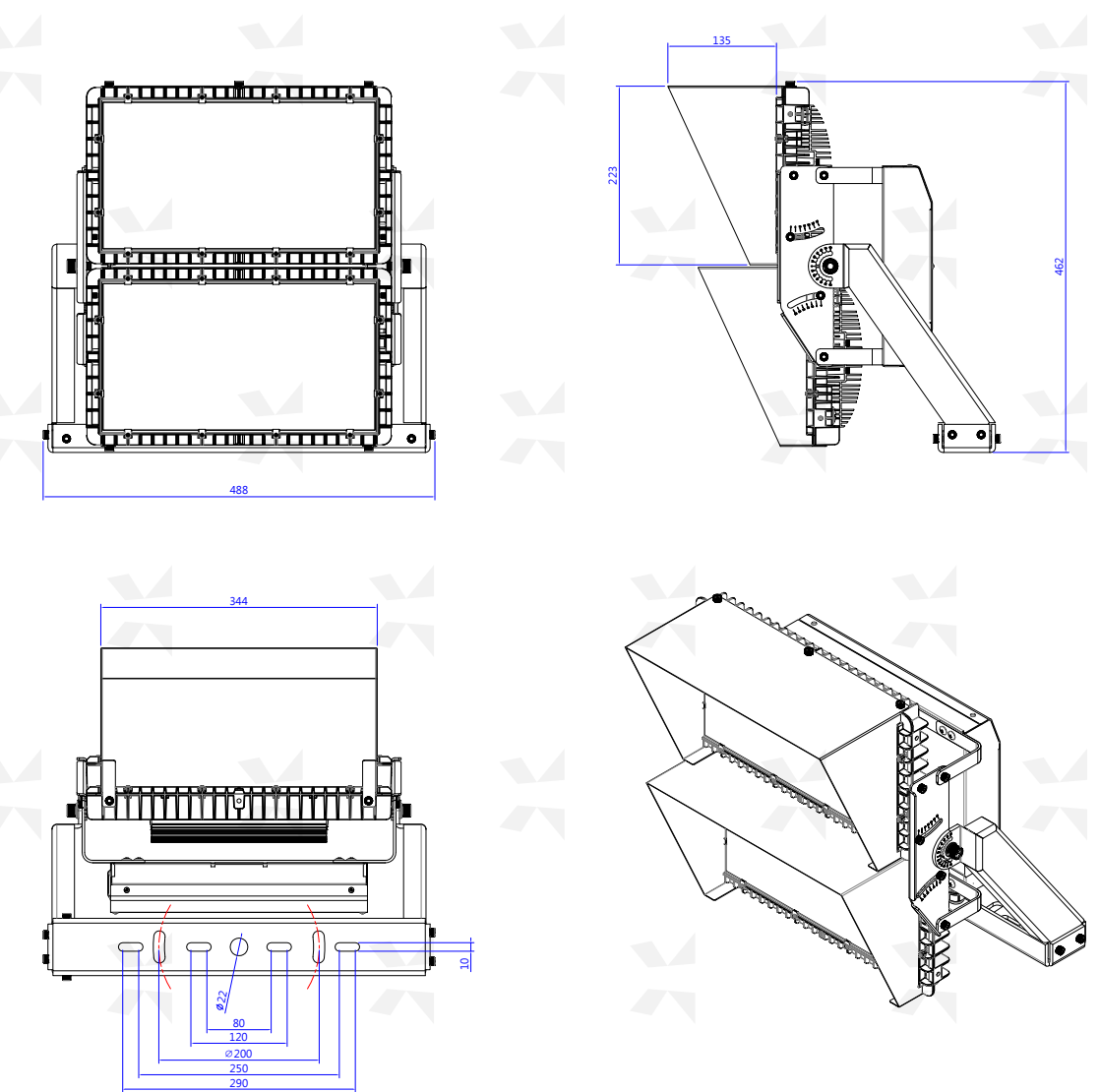
Product Code	Arena M 200	Arena M 280	Arena M 350	Arena M 560	Arena M 700
Power (Watts)	200	280	350	560	700
Lumen Output	26,000	36,500	41,500	72,800	84,000
Weight (KG)	11	11	11	22	22
Input Voltage	90-305VAC				
LED Chip	Nichia NVSL219B	Nichia NVSL219B	Nichia NVSL219B	Nichia NVSL219B	Cree XPG-S5
Dimmable Options	1-10v				
AC Input Frequency	50/60Hz				
IP Rating	IP67				
Beam Angles	12° / 15° / 30° / 60° / 80° / 110°				
CCT	2700K - 6500K				
Warranty	5 Years				
Operation Temperature	-40°C ~ +40°C				
LED Lifetime	+50,000h				
CRI	>70				



200/280/300



560/700



Baffle Option



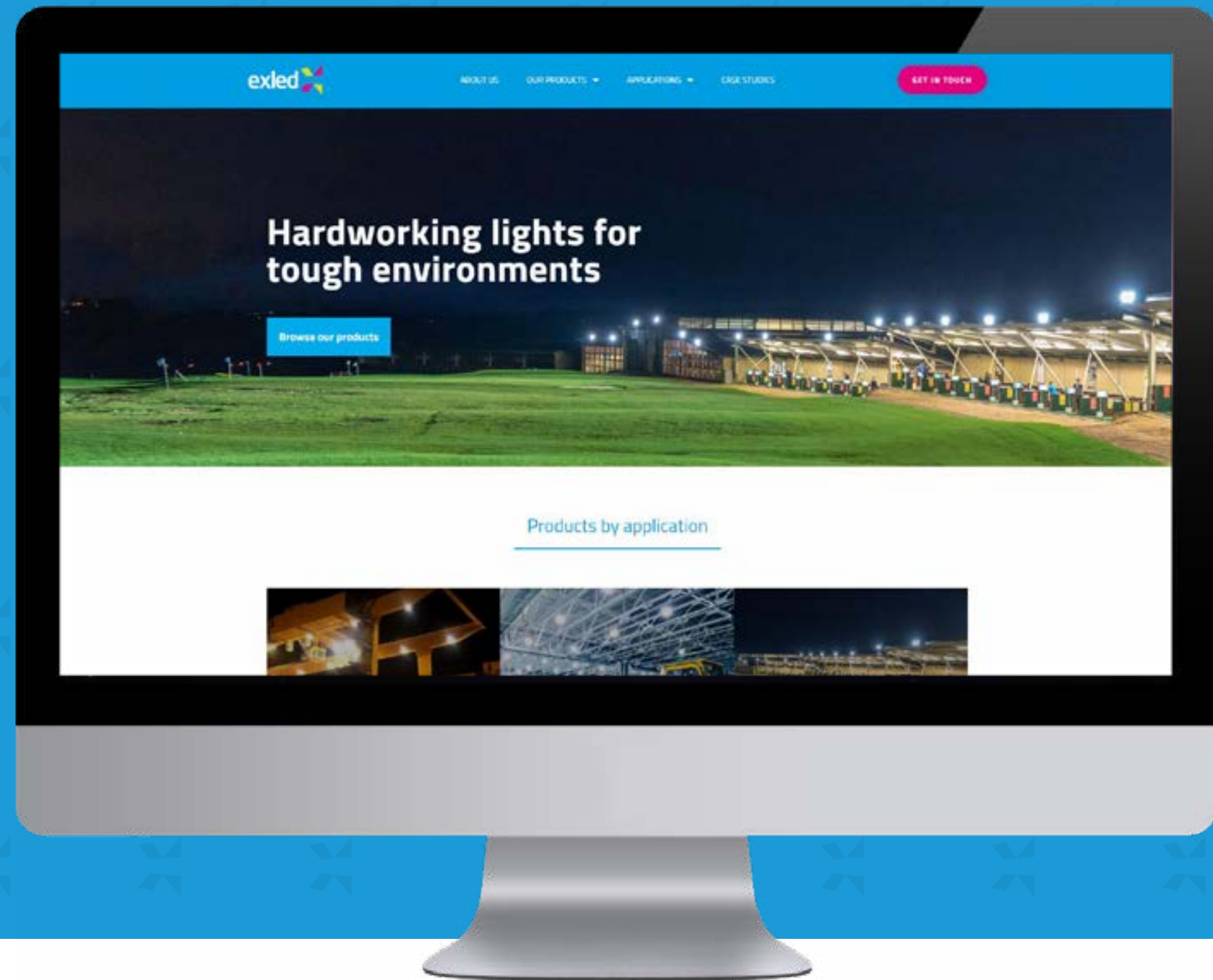


200/280/300



560/700

Visit our website [exled.co.uk](http://exled.co.uk)



For more information about the product featured in this datasheet please contact the experts at Exled.

Call **01453 756 361** or email [sales@exled.co.uk](mailto:sales@exled.co.uk)