

# Galaxy XM V2 Sports Floodlight

Product Datasheet



Datasheet

Overview

Technical Data

Dimensions

Imagery

Contact us

DS\_GALAXY-450-650-900-1350-XM-V2

The Galaxy XM Range comprises high power LED floodlights with aimable heads specifically designed to achieve uniformity on the pitch. Top spec Philips LEDs for very high lumen efficiency, combined with excellent thermal management and a corrosion resistant coating, make the Galaxy XM range a class leading product.

### Features:

- Philips LEDs
- Up to 155 lumens per watt
- Wide Choice of beam angles
- 5 Year Warranty
- Corrosion proof coating

### 5 year warranty

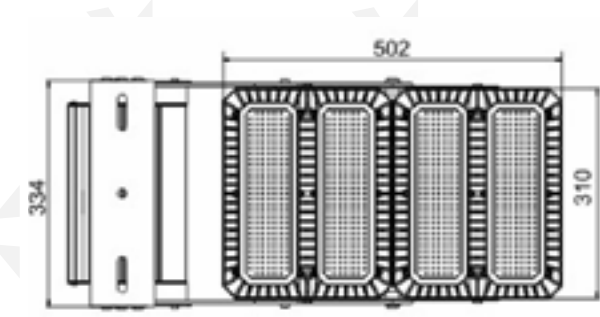
The Galaxy XM 450-1350W range is the latest generation high power LED floodlight, with a circuit watt efficiency up to +155 lumens per watt. The externally rated driver can be remotely mounted if required. Robust construction and corrosion proof coating make this fixture ideal for harsh weather climates.



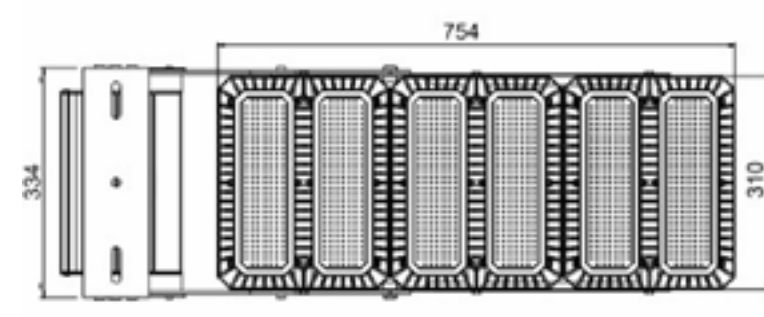
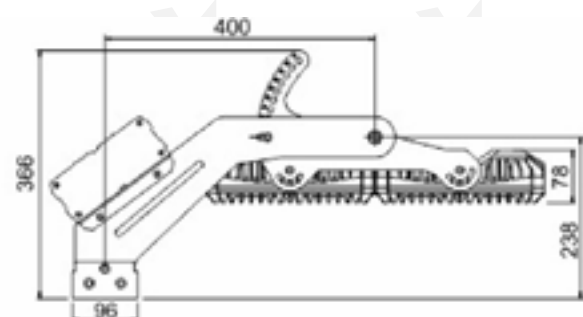
For more information about the product featured in this datasheet please contact the experts at Exled. Call **01453 756 361**, email [sales@exled.co.uk](mailto:sales@exled.co.uk) or visit [exled.co.uk](http://exled.co.uk)



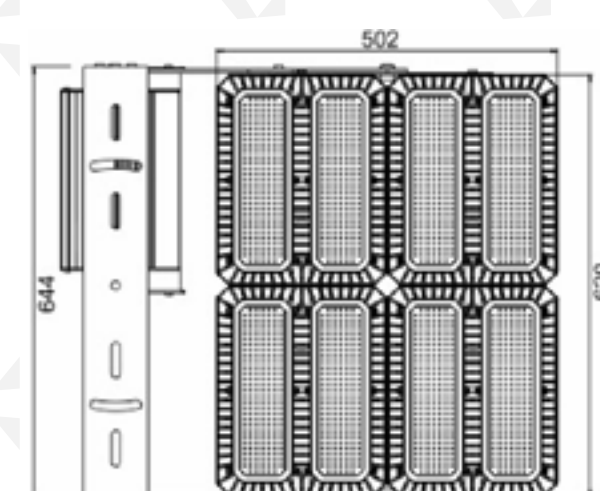
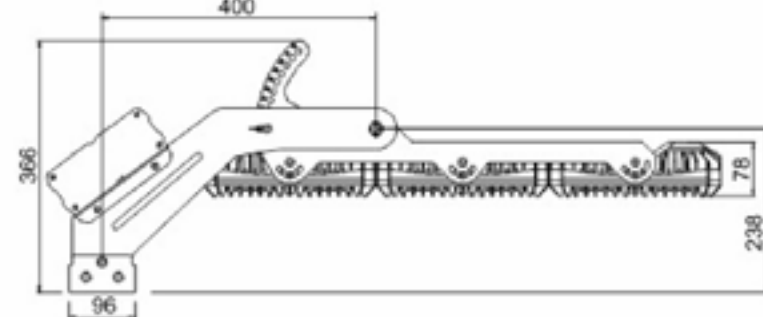
Product Code	Galaxy XM V2 450	Galaxy XM V2 650	Galaxy XM V2 900	Galaxy XM V2 1350
Power (Watts)	450	650	900	1350
Lumen Output	66,500	105,000	140,500	210,700
Weight (KG)	17.7	22.5	28.7	37.2
Input Voltage	100-240VAC			
LED Chip	Philips Lumileds			
Dimmable Options	1-10v / Dali Optional			
Finish	Black or Grey Powder Coating			
IP Rating	IP66			
Beam Angles	15° / 25° / 60° / 110° / 130x25° / 130x40°			
CCT	3000K / 4000K / 5700K			
Warranty	5 Years			



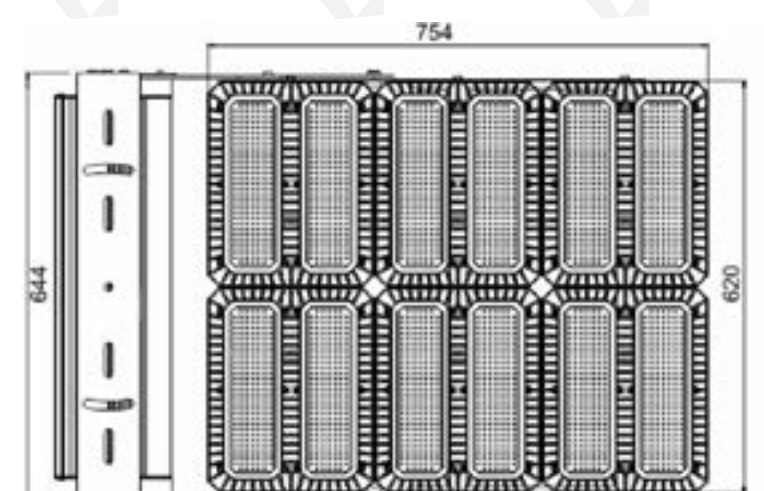
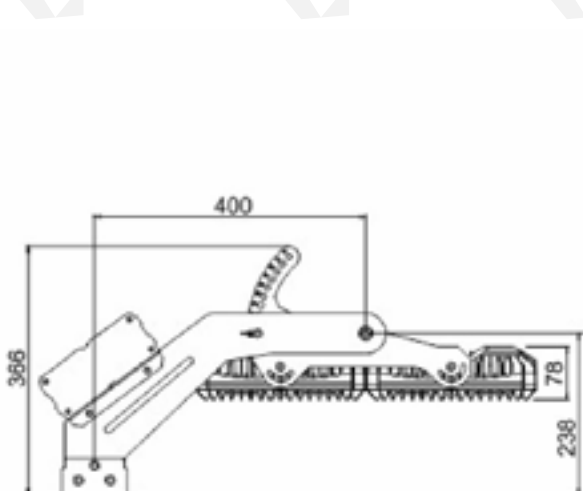
450



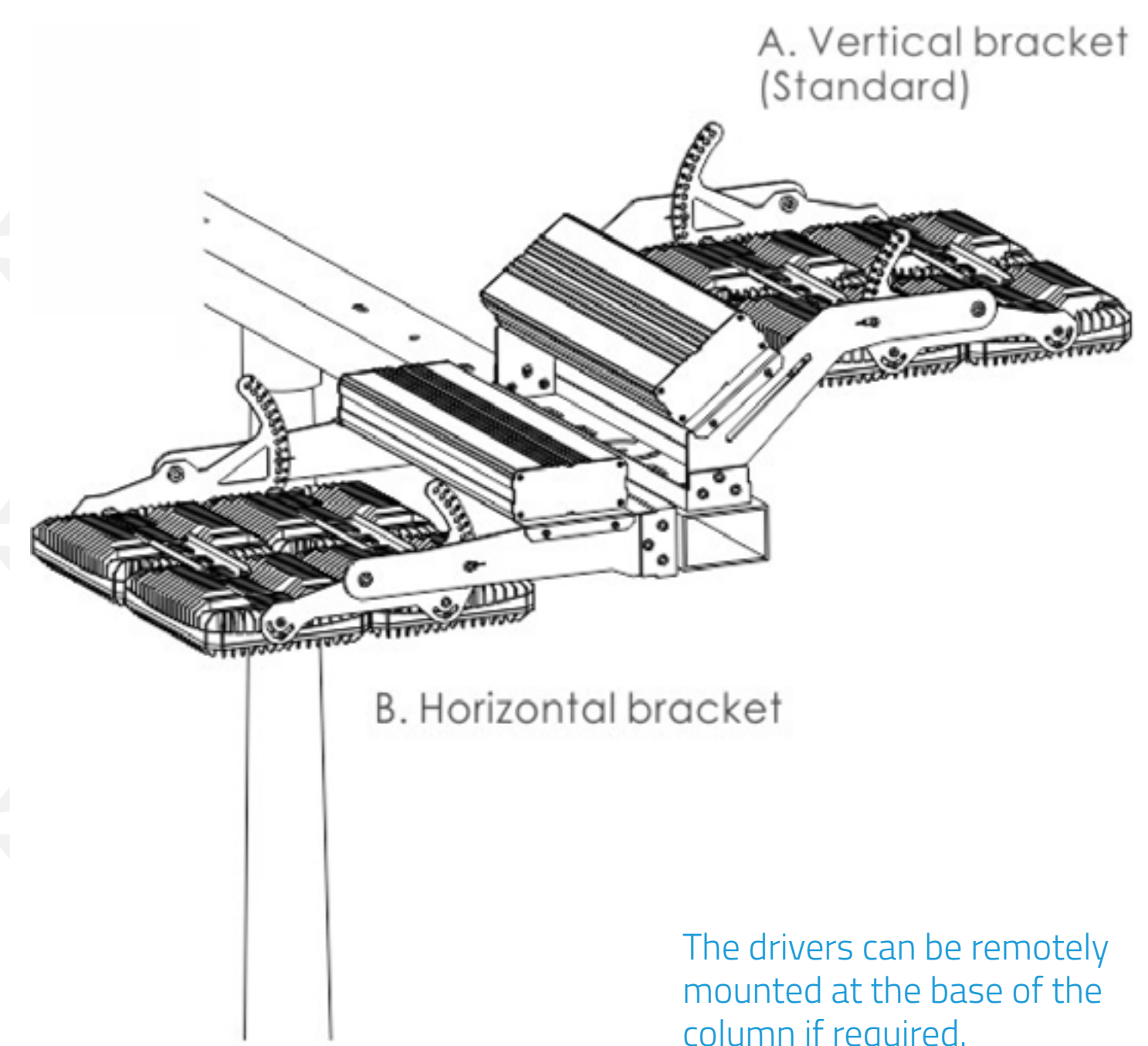
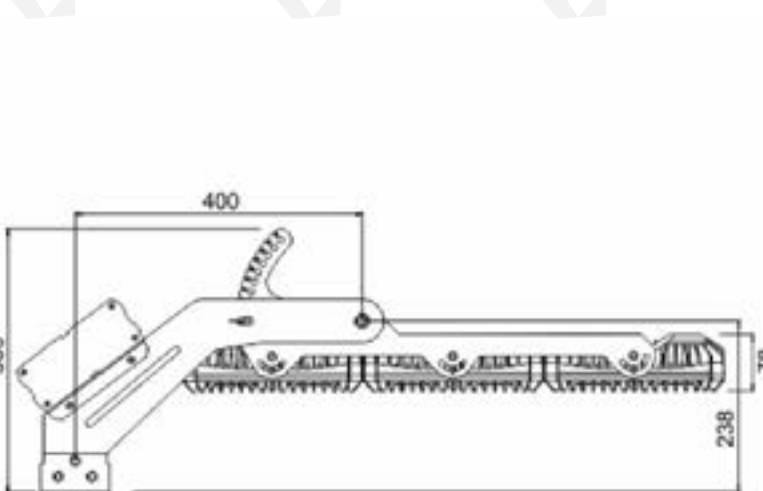
650



900



1350



A. Vertical bracket (Standard)

B. Horizontal bracket

The drivers can be remotely mounted at the base of the column if required.



900



1350

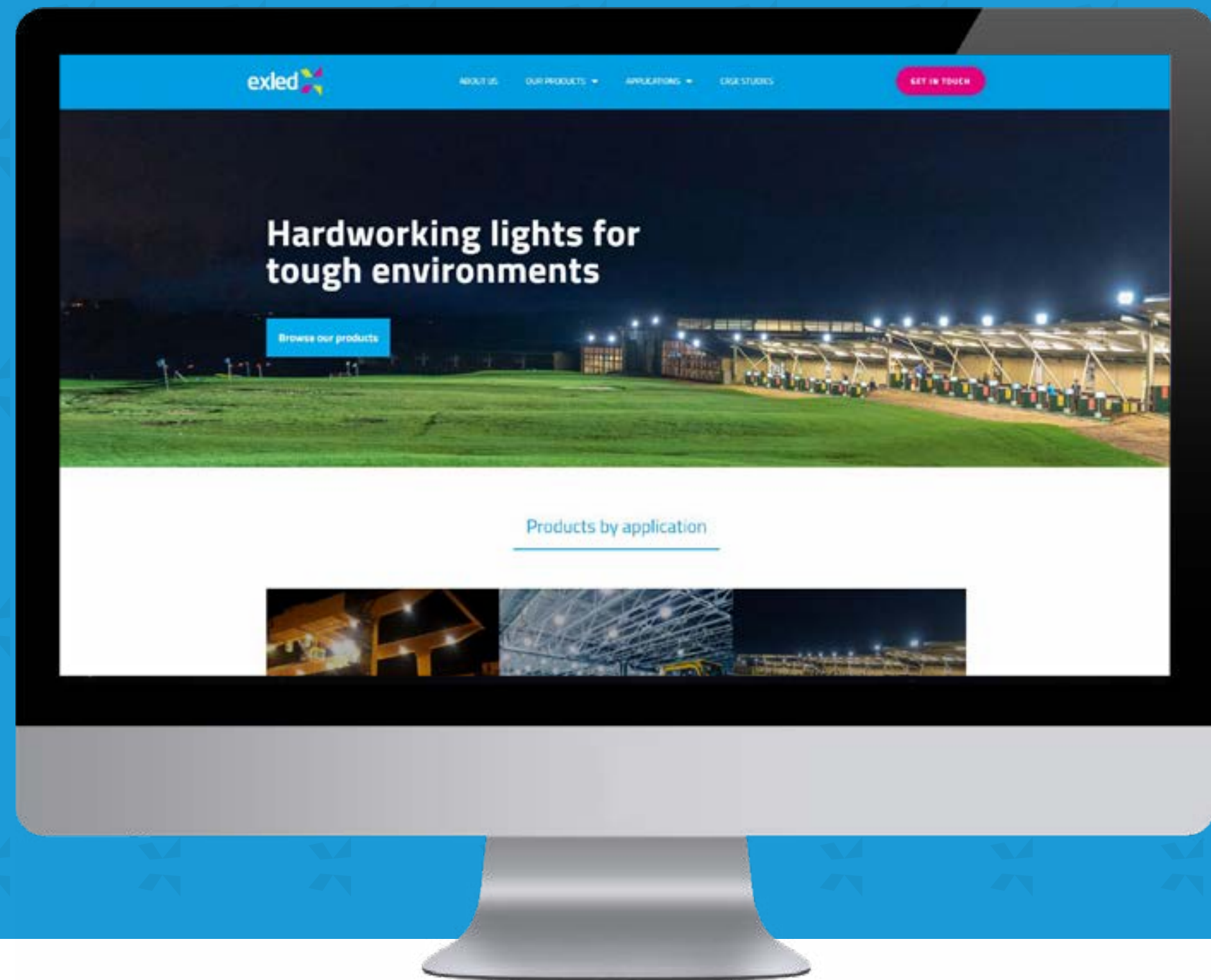


900



1350

Visit our website [exled.co.uk](http://exled.co.uk)



For more information about the product featured in this datasheet please contact the experts at Exled.

Call **01453 756 361** or email [sales@exled.co.uk](mailto:sales@exled.co.uk)