

DS\_COMET-50-100-150-200-FLD

[Overview](#)

[Dimensions](#)

[Technical Data](#)

[Imagery](#)

[Contact Us](#)

# Comet 50-200W Atex Floodlight

Product Datasheet

The Comet LED Floodlight is Atex rated and delivers up to 22,400 lumens. An excellent solution for illuminating larger interior or exterior spaces. Typically used in industrial hazardous area environments. The fitting is also designed to be used as an overhead low bay light.

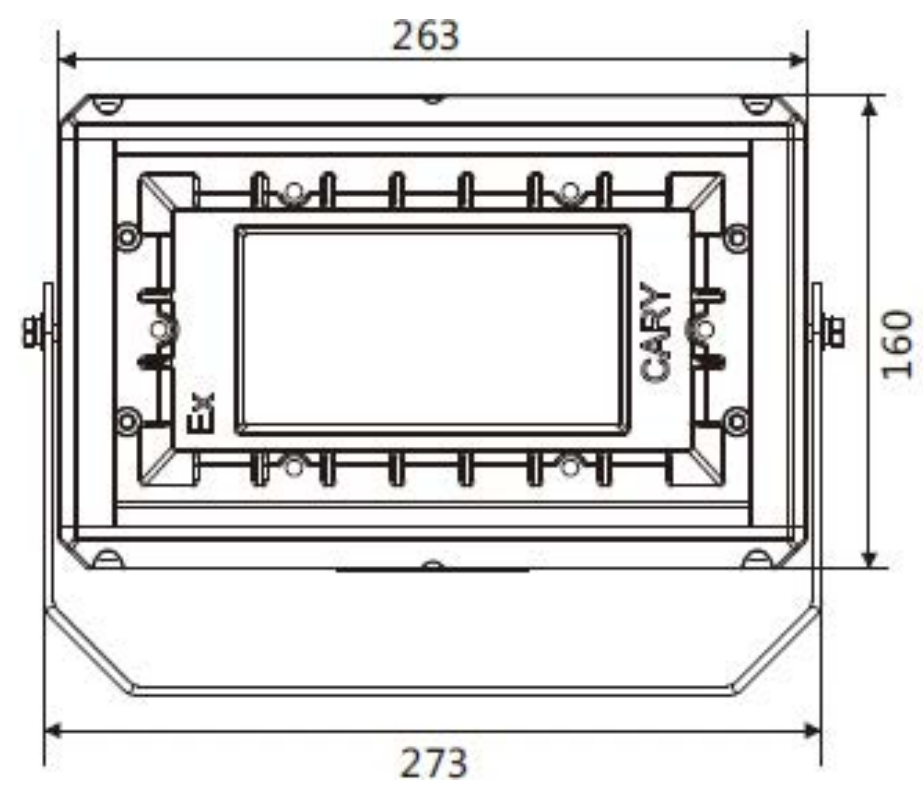
### Features:

- 30/60/90/120°
- Corrosion proof
- Ultra Tough
- +110 Lm/watt
- IP66 & IK10
- 5 Year Warranty

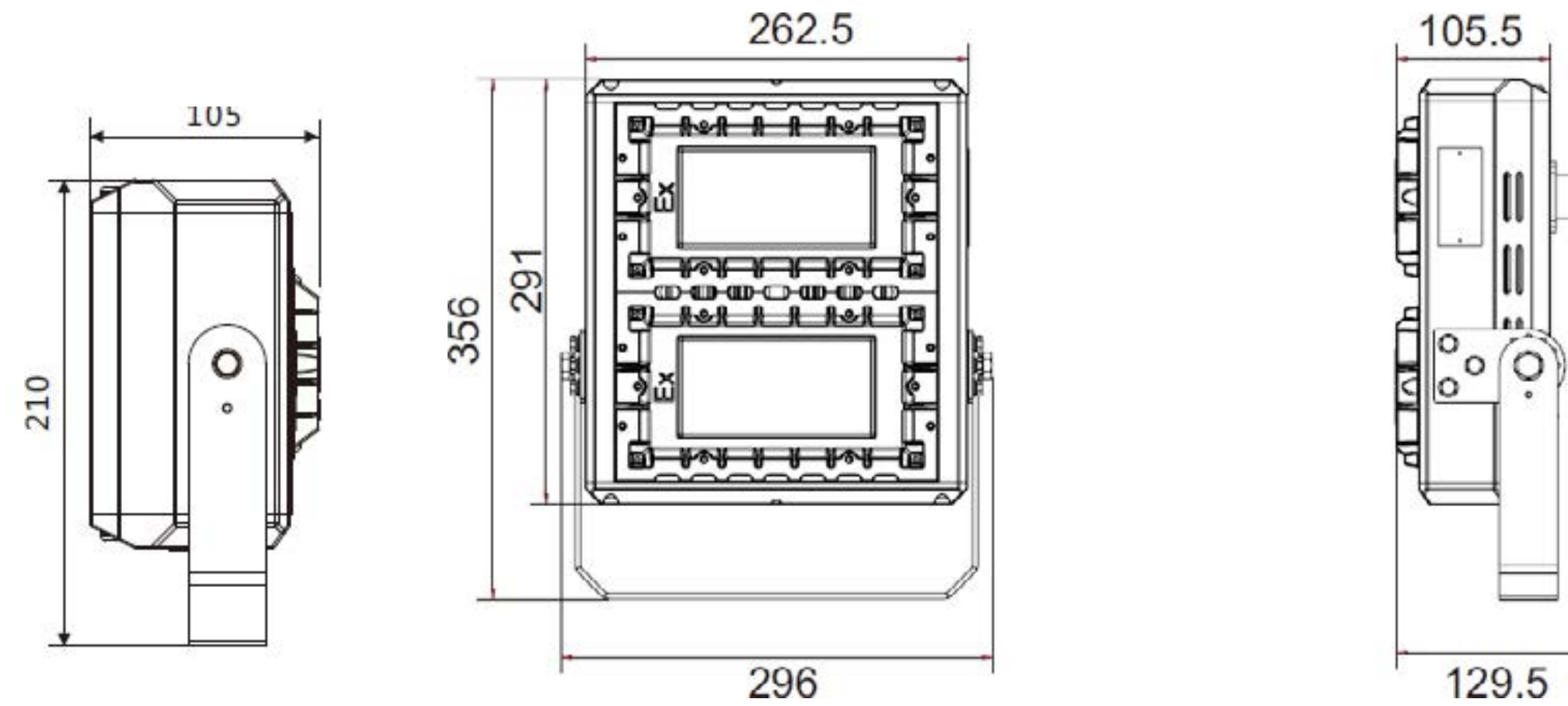
### 5 Year Warranty

A unique and tough Atex rated LED floodlight. For use in hazardous Area industrial environments. Using the industry's best components with LM79 test data to provide greatly increased long term reliability.

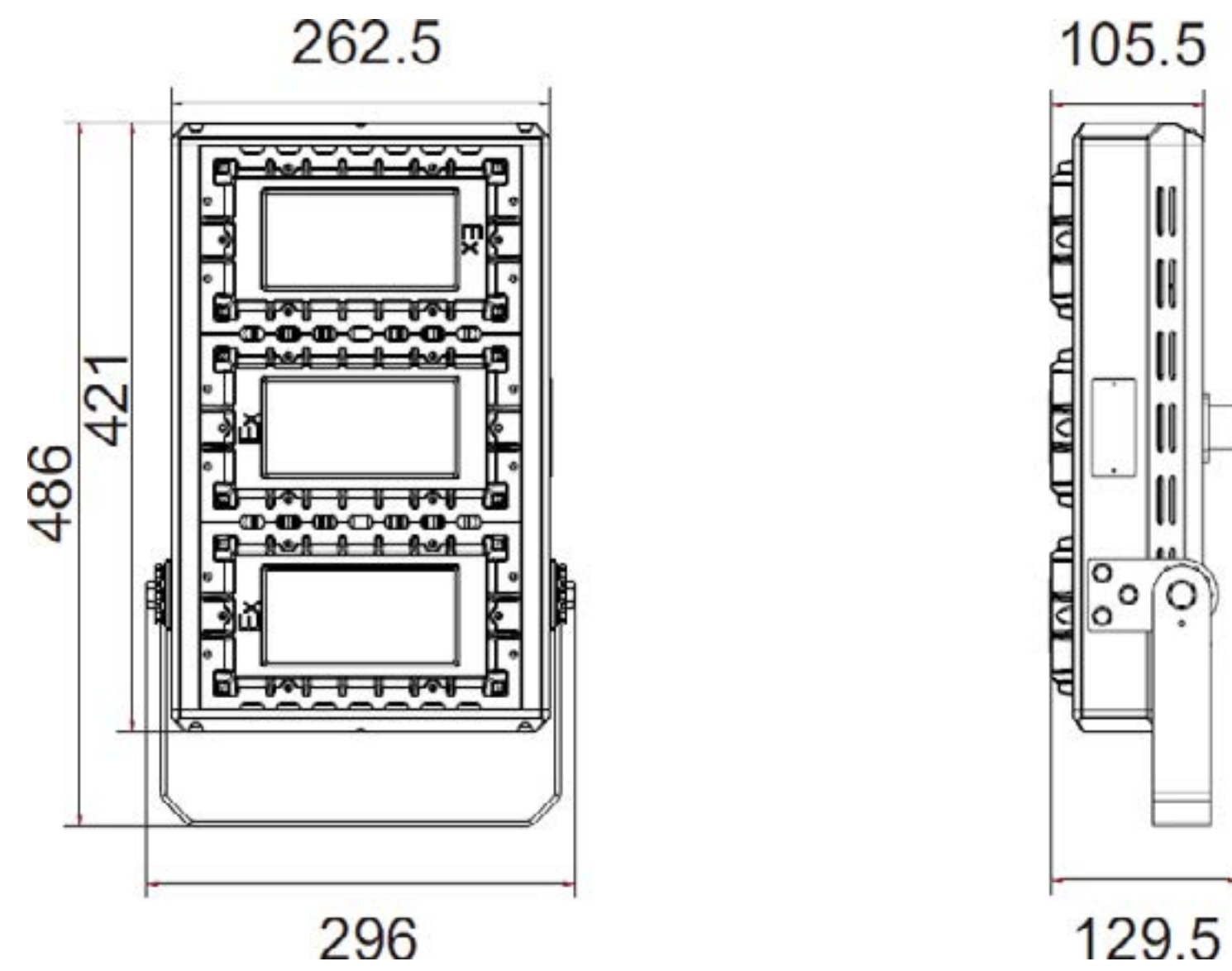
[Overview](#)[Dimensions](#)[Technical Data](#)[Imagery](#)[Contact Us](#)



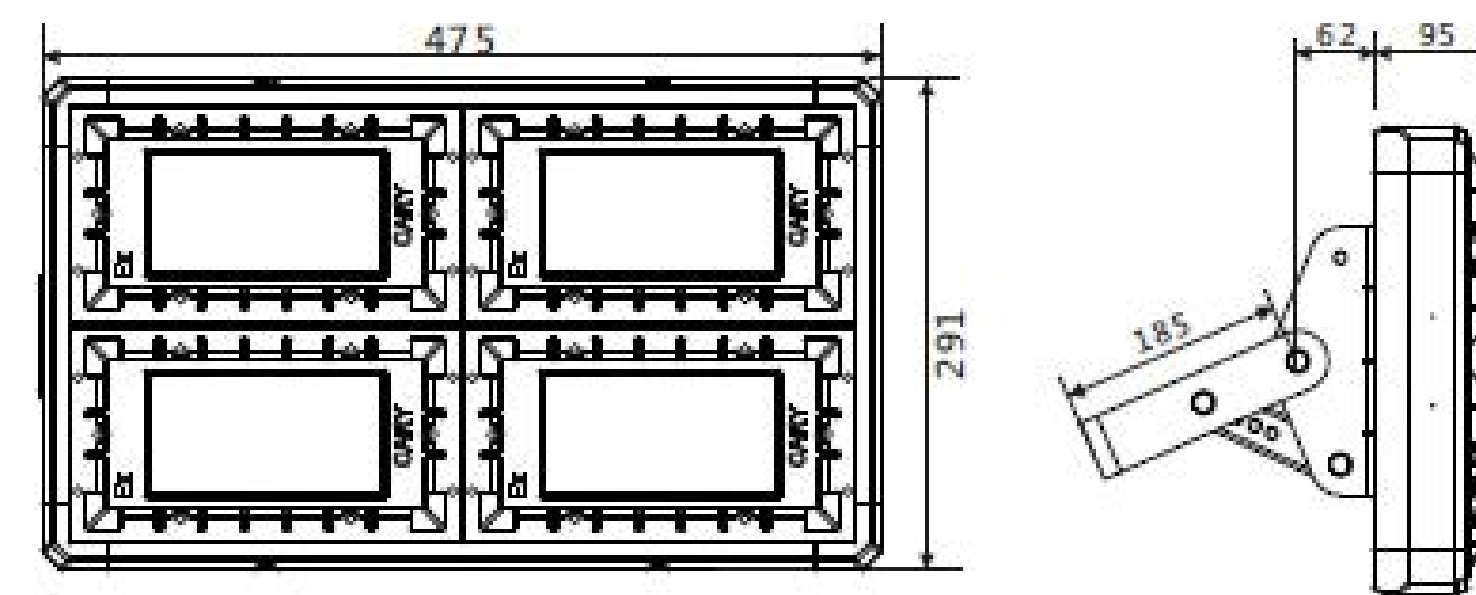
50W Dimensions (mm)



100W Dimensions (mm)



150W Dimensions (mm)



200W Dimensions (mm)

Overview



Dimensions

Technical Data

Imagery

Contact Us

[Overview](#)[Dimensions](#)[Technical Data](#)[Imagery](#)[Contact Us](#)

Product Code	FLD-COMET-50W / FLD-COMET-100W / FLD-COMET-150W / FLD-COMET-200W
Certifications	 11 2 G Ex dmb 11BT5 Gb  11 2 D Ex tb 111C T90°C Db IP66
Certifications	ATEX-2014/34/EU EN 60079-0:2012+A11:3013 EN 60079-1:2014
Certifications	EN 60079-18:2015 EN 60079-31:2014 LDV-2014/35/EU EMC-2014/35/EU
Operation Voltage	AC90V-305V
Power	50 watts / 100 watts / 150watts / 200 watts
CCT	4000K, 5000K, 6000K
Lumen Output	5,600lm / 11,240lm / 16,240lm / 22,400lm
CRI	>75
Power Factor	>0.97
Beam Angle	30°, 60°, 90°, 120°
Dimensions Excluding Bracket (mm)	273x262.5x105 / 291x262.5x130 / 421x262.5x130 / 475x291x157
Weight	3.8 KG / 7.4 KG / 9.8 KG / 15.8 KG
IP Rating	IP66



50W



100W



150W



200W

Overview

Dimensions

Technical Data

Imagery

Contact Us



DS\_COMET-50-100-150-200-FLD

Overview

Dimensions

Technical Data

Imagery

Contact Us

## Hardworking lights for tough environments

**T:** 01453 756361

**E:** [sales@exled.co.uk](mailto:sales@exled.co.uk)

**W:** [www.exled.co.uk](http://www.exled.co.uk)

Exled Ltd  
Topaz House, Unit C Brunel Court  
Stroudwater Business Park  
Stonehouse, Gloucestershire,  
GL10 3SW

