

DS_NEBULA-CN-V3-XX-XX

NEBULA-CN-V3 Conveyor Light

Product Datasheet

The NEBULA-CN-V3-30W-70W is the ideal solution for conveyor or walkway lighting in Industrial or mining environments. The asymmetric beam angle is optimised for this application at low mounting heights. Available in Polyester Powder coated Aluminium for harsh environments

Features:

- Optional Emergency Back up
- IP66
- Optimised wide batwing beam angle
- Corrosion Proof Coating
- Robust IK8 body
- Photocell Option

5 Year Warranty

The NEBULA CN-V3-30 - 70 Watt complements Exleds comprehensive range of tough specialist Industrial and Marine Lighting fixtures. Robust construction and corrosion proof coating make this fixture ideal for harsh environments.



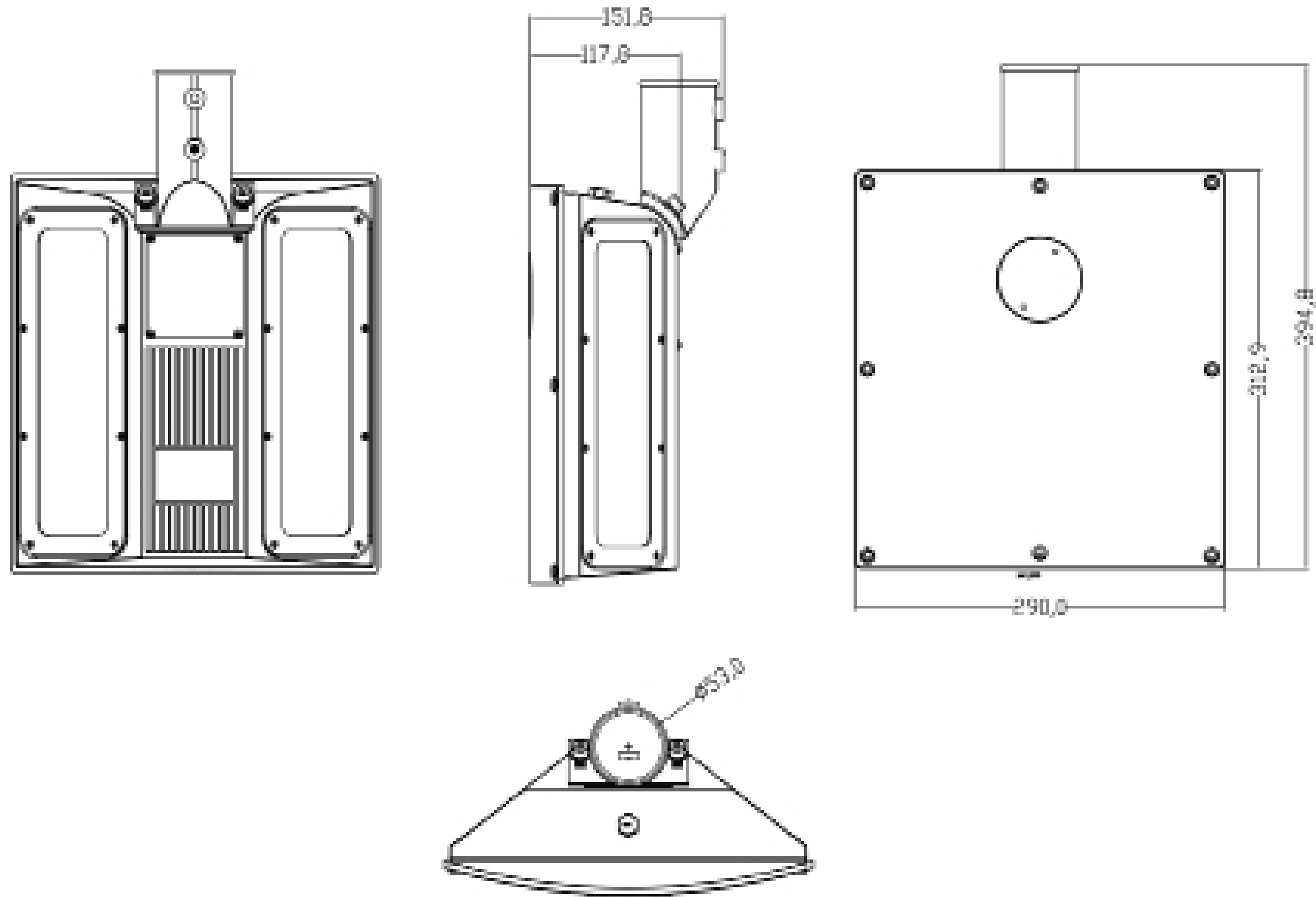
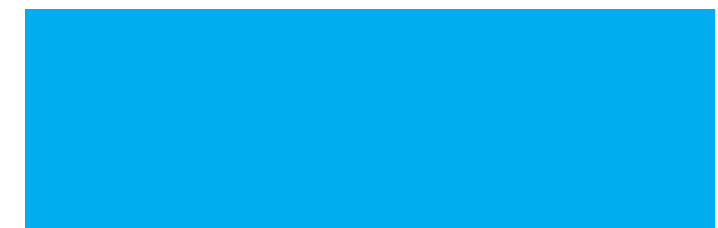
DS_NEBULA-CN-V3-XX-XX



LM-79



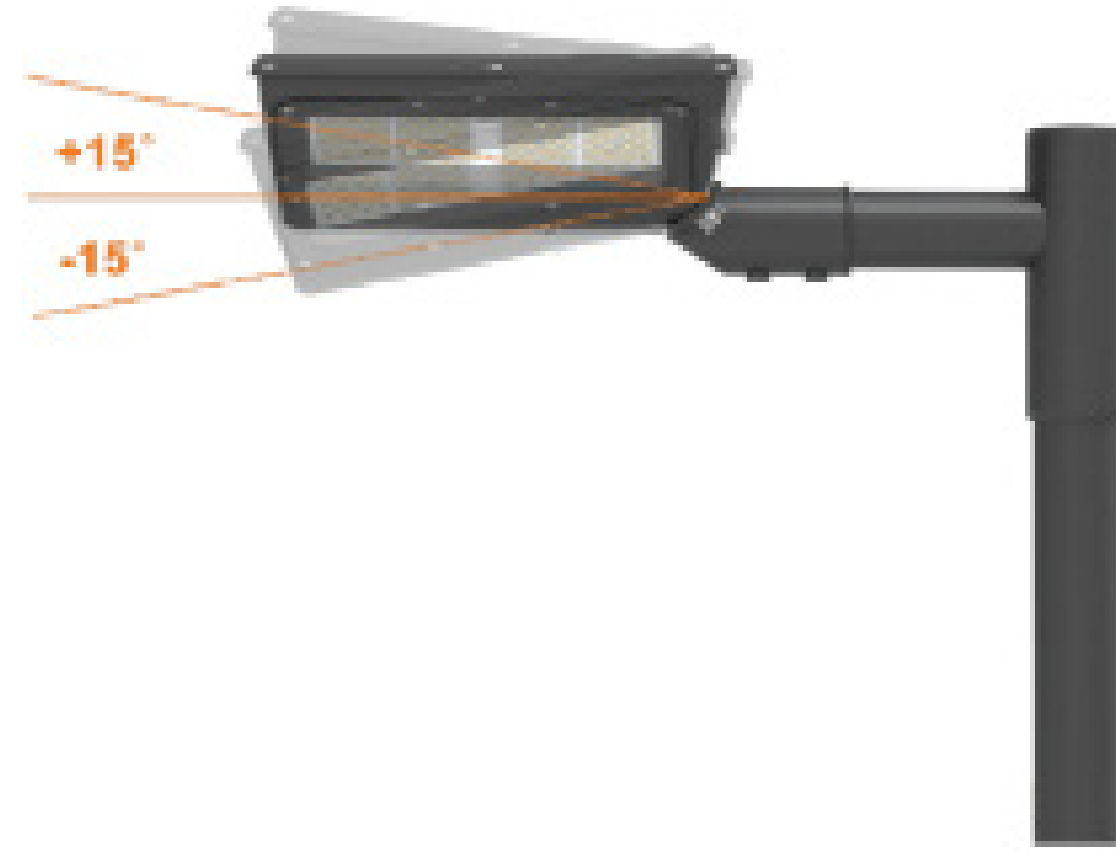
exled



Product Code	NEBULA-CN-V3-XX-XX
Power	30 watts / 36 watts / 42 watts / 62 watts / 70 watts
Lumen Output	4950 / 5800 / 6600 / 9600 / 10500
Input Voltage	100-277VAC / 12-24VDC
Power Factor	>0.90
Emergency Option	Yes
Finish	Grey Powder Coating
IP Rating / IK Rating	IP66 / IK8
Beam Angles	Type 11
Mounting Pole	32-42mm
CCT	3000K, 4000K, 5000K,
Temperature Range	-25 +40 Degrees C
Product Weight (Standard)	5,2Kg



Vertical Mounting



Horizontal Mounting



3pin/5pin/7pin NEMA Socket



Photocell Controller



Shorting Cap

DS_NEBULA-CN-V3-XX-XX



Hardworking lights for tough environments

T: 01453 756361

E: sales@exled.co.uk

W: www.exled.co.uk

Exled Ltd
Topaz House, Unit C Brunel Court
Stroudwater Business Park
Stonehouse, Gloucestershire,
GL10 3SW

exled 